



ACCUMULATORS AND COOLERS

EFFECTIVE PRESSURE AND COOLING SOLUTIONS FOR HYDRAULIC SYSTEMS



Accumulator & Cooler Distributor Catalogue



ENGINEERING YOUR SUCCESS.

Accumulator and Cooler Division Europe

Made in Europe - serving all markets and industries

Parker Wroclaw
(Wroclaw, Poland)

Products:
Coolers (All coolers)
Piston Accumulators (ACP, A, AP)

Market Focus:
Industrial, Mobile, Energy



Parker ACDE Sandycroft
(Chester, UK)

Products:
Bladder Accumulators & Accessories (UK, O&G)
Piston Accumulators (EHP)
Pulsation Dampers, Hydracushions, Compensators

Market Focus:
Oil and Gas, Industrial



Parker ACDE Paris
(Colombes, France)

Products:
Bladder Accumulators & Accessories (EBV, EHV)
Diaphragm Accumulators (DA)
Attenuators

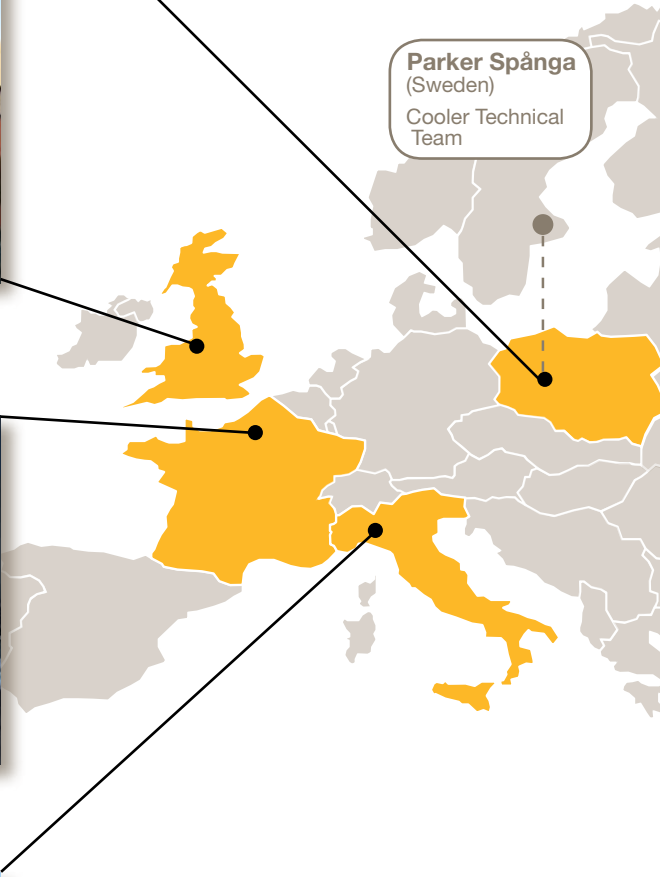
Market Focus:
Wind Power, Industrial, Aerospace, Motor Sport



Parker ACDE Turin
(Turin, Italy)

Products:
Bladder Accumulators & Accessories (EBV, EHV)
Piston Accumulators (EHP)
Gas Bottles, Accumulator Systems

Market Focus:
Oil and Gas, Industrial



Contents

| ACCUMULATORS | |
|--|----|
| Bladder Accumulators | |
| EHV Series Bladder Accumulators | 6 |
| EHV Spare Parts/ Bladder Kit | 10 |
| Accumulator Set - bladder accumulator + clamp + bracket + safety block | 11 |
| Global Bladder Accumulator - SELO + ASME+ CE approvals | 12 |
| Piston Accumulators | |
| Crimped Piston Accumulator - ACP Series | 13 |
| Diaphragm Accumulators | |
| DA Series - Diaphragm Accumulators | 14 |
| Accessories | |
| Clamps & Brackets | 16 |
| Charging Sets | 17 |
| Safety Blocks | 18 |
| Pressure Relief Valve Block | 19 |
| Adaptors | 20 |
| Gas Bottles | 21 |
| How to size an accumulator | 22 |
| COOLERS | |
| Air Oil Coolers | |
| Air Oil Coolers with AC Motor - LAC Series | 24 |
| Air Oil Coolers with DC Motor - LDC Series | 26 |
| Air Oil Coolers with AC Motor & Pump - LOC Series | 28 |
| Water Oil Coolers | |
| Brazed Plate Water Oil Cooler - PWO Series | 30 |
| Shell & Tube Water Oil Cooler - SWO Series | 31 |
| Pumps | |
| Gerotor Pump - QPM3 Series | 32 |
| How to Size a Cooler | 33 |
| Online Support | 34 |

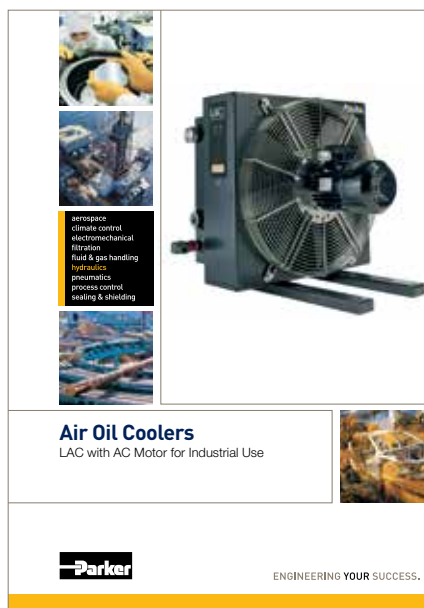
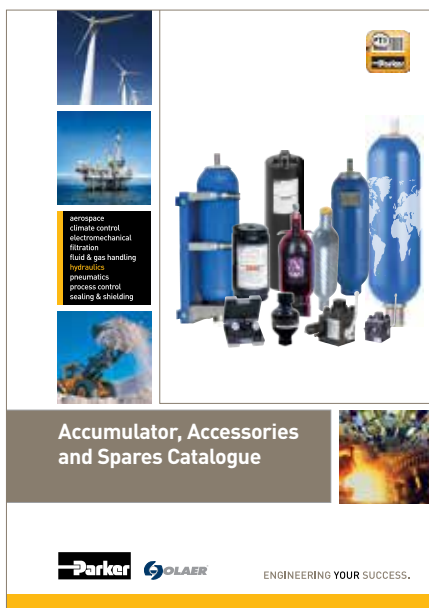
User Guide

The Distribution Catalogue only contains standard product and has been specially developed for Parker Distributors in Europe, Middle East and Africa.

A more extensive range of products for use in all countries, as well as other industry specific approvals is available on the Parker website and within product catalogues.

This catalogue is an extract of the main accumulator catalogue (HY10-4004) and the cooler catalogues.

www.parker.com/acde



PARKER SAFETY GUIDE FOR SELECTING AND USING ACCUMULATORS AND COOLERS AND RELATED ACCESSORIES

WARNING

FAILURE OR IMPROPER SELECTION OR IMPROPER USE OF THE PRODUCTS AND/OR SYSTEMS DESCRIBED HEREIN OR RELATED ITEMS CAN CAUSE DEATH, PERSONAL INJURY AND PROPERTY DAMAGE.

This document and other information from Parker Hannifin Corporation, its subsidiaries and authorized distributors provide product and/or system options for further investigation by users having expertise. It is important that you analyze all aspects of your application, including consequences of any failure and review the information concerning the product or system in the current product catalogue. Due to the variety of operating conditions and applications for these products or systems, the user, through its own analysis and testing, is solely responsible for making the final selection of the products and systems and assuring that all performance, safety and warning requirements of the application are met.

The products described herein, including without limitation, product features, specifications, designs, availability and pricing, are subject to change by Parker Hannifin Corporation and its related companies at any time without notice.



2 day
dispatch

Accumulators

Bladder, Piston & Diaphragm Accumulators
and Accessories



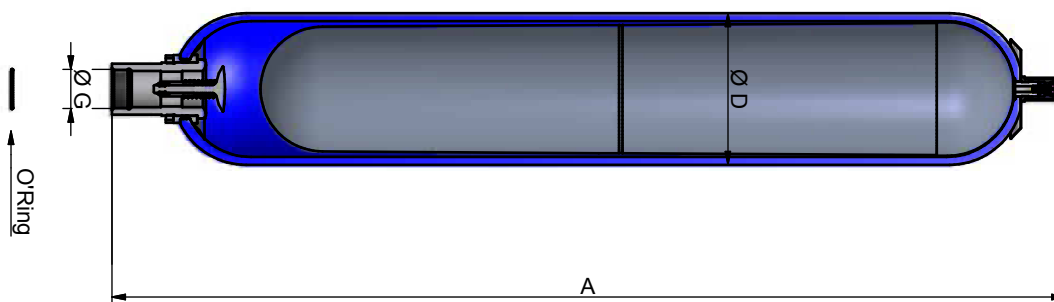
Bladder Accumulator EHV Series - C & D gas valve

The EHV bladder accumulator is designed for high pressure hydraulic systems.

- Standard version (Carbon Steel shell/NBR mix) compatible with mineral oils.
- According to PED 2014/68/EU, EN 14359, Fluid Group 2.
- A wider range of products (material, pressure, design, regulation, connection and other options) and more technical information is available on the Parker website and in the Accumulator Catalogue.

| Part number | Type | Valve | Clamps | Support Bracket | Effective Gas volume Litres | Max. Working pressure (PS) bar | Admissible Accumulator Temperature min/max (°C) | Weight kg | Dimensions in mm | | | Seal O-ring |
|-------------|---------------------------|-------|------------------------------|----------------------|-----------------------------|--------------------------------|---|-----------|------------------|-----|--------|-------------|
| | | | Model (quantity) Part number | Model Part number | | | | | A max Height | øD | G | |
| 10876301120 | EHV 0.2-350/00-A20AD-200* | D | A56 (1) 20149203625 | | 0.17 | 350 | - 6/+80 | 2.5 | 268 | 58 | G ½" | 18x2 |
| 10876401125 | EHV 0.5-350/00-A25BD-200* | D | E95 (1) 20250803648 | | 0.6 | 350 | - 20/+80 | 3 | 260 | 91 | G ¾" | 21,3x2,4 |
| 10845601125 | EHV 1-350/00-A25BC-200* | C | E114 (1) 20251003648 | CE 89 20151903620 | 1 | 350 | - 20/+80 | 6 | 330 | 116 | G ¾" | 21,3x2,4 |
| 10998301125 | EHV 1.6-350/90-A25BC-200 | C | E114 (1) 20251003648 | CE 89 20151903620 | 1.6 | 350 | - 20/+80 | 8 | 442 | 116 | G ¾" | 21,3x2,4 |
| 10854701125 | EHV 2.5-350/90-A25DC-200 | C | E114 (2) 20251003648 | CE 89 20151903620 | 2 | 350 | - 20/+80 | 11 | 549 | 116 | G 1 ¼" | 36,2x3 |
| 10845401125 | EHV 4-350/90-A25DC-200 | C | E168 (1) 20251303648 | CE108 20118703620 | 3.7 | 350 | - 20/+80 | 15 | 434 | 170 | G 1 ¼" | 36,2x3 |
| 10861201125 | EHV 5-350/90-A25DC-200 | C | E114 (2) 20251003648 | CE 89 20151903620 | 5 | 350 | - 20/+80 | 17 | 898 | 116 | G 1 ¼" | 36,2x3 |
| 10857401125 | EHV 6-350/90-A25DC-200 | C | E168 (2) 20251303648 | CE108 20118703620 | 6.0 | 350 | - 20/+80 | 20 | 560 | 170 | G 1 ¼" | 36,2x3 |
| 10859701125 | EHV 10-350/90-A25DC-200 | C | E168 (2) 20251303648 | CE108 20118703620 | 10 | 350 | - 20/+80 | 31 | 825 | 170 | G 1 ¼" | 36,2x3 |

* According to Article 4.3 PED 2014/68/EU



Model of valve stem integrated
7/8" 14 UNF
(C)



Model of valve stem integrated
5/8" 18 UNF
(D)

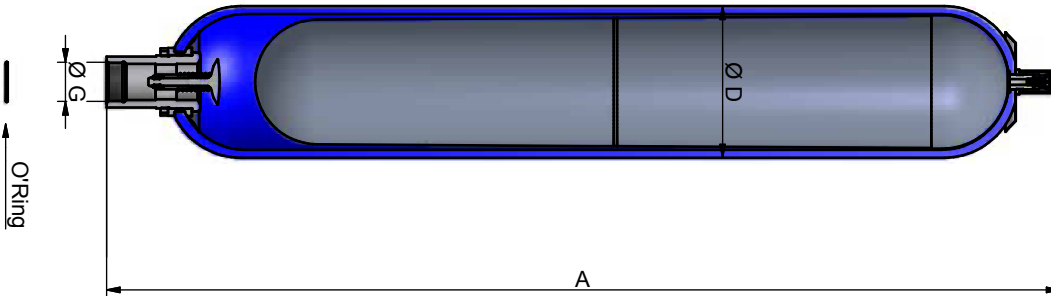


Bladder Accumulator EHV Series- A gas valve

The EHV bladder accumulator is designed for high pressure hydraulic systems.

- Standard version (Carbon Steel shell/NBR mix) compatible with mineral oils.
- According to PED 2014/68/EU, EN 14359, Fluid Group 2.
- A wider range of products (material, pressure, design, regulation, connection and other options) and more technical information is available on the Parker website and in the Accumulator Catalogue.

| Part number | Type | Valve | Clamps | Support Bracket | Effective Gas volume Litres | Max. Working pressure (PS) bar | Admissible Accumulator Temperature min/max (°C) | Weight kg | Dimensions in mm | | | Seal O-ring |
|-------------|---------------------------|-------|------------------------------|-----------------------|-----------------------------|--------------------------------|---|-----------|------------------|-----|-----|-------------|
| | | | Model (quantity) Part number | Model Part number | | | | | A max Height | øD | G | |
| 10837001125 | EHV 10-330/90-A25GA-200 | A | D226 (2) 20251503648 | CE159A 20109003620 | 9.2 | 330 | -20/+80 | 31 | 587 | 226 | G2" | 54x3 |
| 10867101125 | EHV 12-330/90-A25GA-200 | A | D226 (2) 20251503648 | CE159A 20109003620 | 11 | 330 | -20/+80 | 36 | 687 | 226 | G2" | 54x3 |
| 10837101125 | EHV 20-330/90-A25GA-200 | A | D226 (2) 20251503648 | CE159A 20109003620 | 17.8 | 330 | -20/+80 | 49 | 897 | 226 | G2" | 54x3 |
| 10837201125 | EHV 24,5-330/90-A25GA-200 | A | D226 (2) 20251503648 | CE159A 20109003620 | 22.5 | 330 | -20/+80 | 56 | 1032 | 226 | G2" | 54x3 |
| 10837301125 | EHV 32-330/90-A25GA-200 | A | D226 (2) 20251503648 | CE159A 20109003620 | 32 | 330 | -20/+80 | 81 | 1420 | 226 | G2" | 54x3 |
| 11076701125 | EHV 50-330/90-A25GA-200 | A | D226 (2) 20251503648 | CE159A 20109003620 | 48.5 | 330 | -20/+80 | 110 | 1936 | 226 | G2" | 54x3 |



Model of valve stem
5/8" 18 UNF
(A)

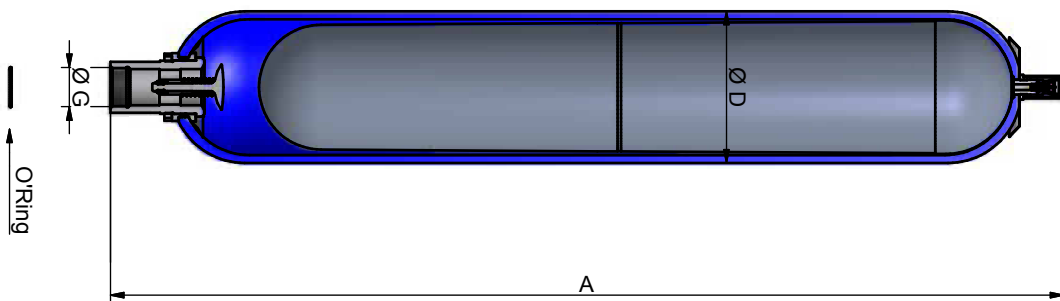


Bladder Accumulator EHV Series - B gas valve

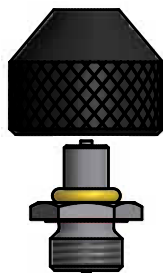
The EHV bladder accumulator is designed for high pressure hydraulic systems.

- Standard version (Carbon Steel shell/NBR mix) compatible with mineral oils.
- According to PED 2014/68/EU, EN 14359, Fluid Group 2.
- A wider range of products (material, pressure, design, regulation, connection and other options) and more technical information is available on the Parker website and in the Accumulator Catalogue.

| Part number | Type | Valve | Clamps | Support Bracket | Effective Gas volume Litres | Max. Working pressure (PS) bar | Admissible Accumulator Temperature min/max (°C) | Weight kg | Dimensions in mm | | | Seal O-ring |
|-------------|-------------------------|-------|------------------------------|-----------------------|-----------------------------|--------------------------------|---|-----------|------------------|-----|--------|-------------|
| | | | Model (quantity) Part number | Model Part number | | | | | A max Height | øD | G | |
| 10866901125 | EHV 1-350/00-A25BB-200* | B | E114 (1) 20251003648 | CE 89 20151903620 | 1 | 350 | -20/+80 | 6 | 330 | 116 | G ¾" | 21,3x2,4 |
| 10866101125 | EHV 4-350/90-A25DB-200 | B | E168 (1) 20251303648 | CE108 20118703620 | 3.7 | 350 | -20/+80 | 15 | 434 | 170 | G 1 ¼" | 36,2x3 |
| 10865401125 | EHV 10-330/90-A25GB-200 | B | D226 (2) 20251503648 | CE159A 20109003620 | 9.2 | 330 | -20/+80 | 31 | 587 | 226 | G2" | 54x3 |
| 10865501125 | EHV 20-330/90-A25GB-200 | B | D226 (2) 20251503648 | CE159A 20109003620 | 17.8 | 330 | -20/+80 | 49 | 897 | 226 | G2" | 54x3 |
| 10865701125 | EHV 32-330/90-A25GB-200 | B | D226 (2) 20251503648 | CE159A 20109003620 | 32 | 330 | -20/+80 | 81 | 1420 | 226 | G2" | 54x3 |
| 11076801125 | EHV 50-330/90-A25GB-200 | B | D226 (2) 20251503648 | CE159A 20109003620 | 48.5 | 330 | -20/+80 | 110 | 1936 | 226 | G2" | 54x3 |



Model of valve stem
7/8" 14 UNF
(B)



Bladder Accumulator UK Series - F gas valve

Standard version (Carbon Steel shell/NBR mix) compatible with mineral oils.

According to PED 2014/68/EU, AD2000, Fluid Group 2

Fluid Port Seal Arrangement - Bonded Seal Type

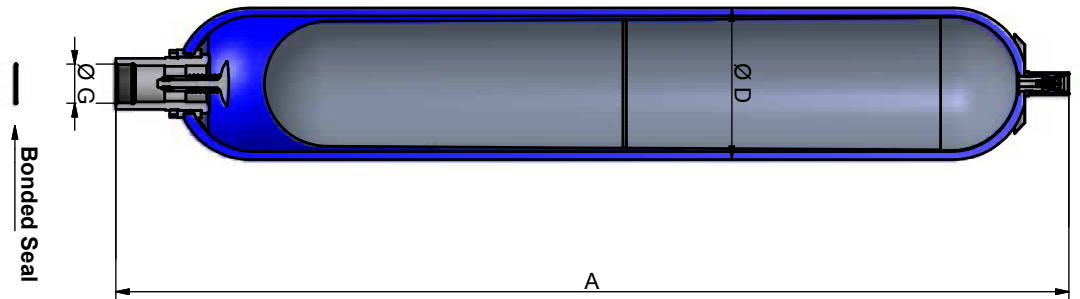
- A wider range of products (material, pressure, design, regulation, connection and other options) and more technical information is available on the Parker website and in the Accumulator Catalogue.

| Part number | Valve | Clamps | Support Bracket | Effective Gas volume Litres | Max. Working pressure (PS) bar | Admissible Accumulator Temperature min/max (°C) | Weight kg | Dimensions in mm | | | Bonded Seal (BS Standard) |
|---------------|-------|-------------|-------------------|-----------------------------|--------------------------------|---|-----------|------------------|-----|----------|---------------------------|
| | | Part number | Model Part number | | | | | A max Height | øD | G | |
| 01100A-00-341 | F** | 10981 | NA | 1 | 345 | -15°C to +80°C | 5.7 | 292 | 115 | G 3/4" | G 3/4" |
| 0300A-00-341 | F** | 10981 | NA | 2.5 | 345 | -15°C to +80°C | 10 | 506 | 115 | G 1" | G 1" |
| 0400A-00-341 | F | 10982-DEE | 10962-DEE | 4 | 345 | -15°C to +80°C | 15.2 | 455 | 169 | G 1 1/4" | G 1 1/4" |
| 1000A-00-341 | F | 10983 | 10961 | 10 | 345 | -15°C to +80°C | 35 | 575 | 230 | G 2" | G 2" |
| 2000A-00-341 | F | 10983 | 10961 | 20 | 345 | -15°C to +80°C | 55 | 886 | 230 | G 2" | G 2" |
| 3700A-00-341 | F | 10983 | 10961 | 37 | 345 | -15°C to +80°C | 91 | 1407 | 230 | G 2" | G 2" |
| 5400A-00-341 | F | 10983 | 10961 | 54 | 345 | -15°C to +80°C | 130 | 1922 | 230 | G 2" | G 2" |

** Integrated gas valve

Clamps are 316 stainless steel

Brackets are carbon steel



Model of valve stem
1/4"
(F)

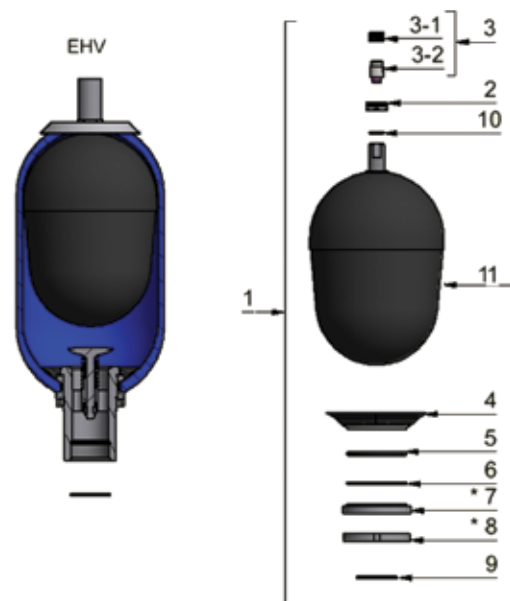


Spare Parts

| Item | Spare parts |
|------|---------------------|
| 1 | Spare Parts Kit |
| 2 | Valve nut |
| 3 | Gas valve Assembly |
| 3.1 | Gas valve |
| 3.2 | Gas valve plug |
| 4 | Anti-extrusion ring |
| 5 | Fluid port seal |
| 6 | Back up seal ring |

| Item | Spare parts |
|------|---------------------------------------|
| 7* | Spacer |
| 8* | Locking nut |
| 9 | O-ring fluid port |
| 10 | Back up ring (depending on the model) |
| 11 | Bladder |

* These parts are not delivered in the spare parts kit (complete repair kit)



Bladder Kit

Parker Olaer offer genuine parts for the maintenance of hydraulic accumulators.

- A wider range of products and more technical information is available on the Parker website and in the Accumulator Catalogue.

| Part Number | Type | Accumulator Volume | Ø Stem Valve | Gas Valve Type |
|-------------|----------------------------------|--------------------|--------------|----------------|
| 19029700225 | KIT EHV 1-350 DIA22 VALVE C | 1 L | 22 mm | C* |
| 19029800225 | KIT EHV 2.5-350 DIA22 VALVE C | 2,5 L | 22 mm | C* |
| 19036600225 | KIT EHV 4-350 DIA22 VALVE B | 4 L | 22 mm | B |
| 19029900225 | KIT EHV 4-350 DIA22 VALVE C | 4 L | 22 mm | C* |
| 19030100225 | KIT EHV 6-350 DIA 22 VALVE C | 6 L | 22 mm | C* |
| 19030200225 | KIT EHV 10-350 DIA22 VALVE C | 10 L (long) | 22 mm | C* |
| 19028900225 | KIT EHV 10-330 DIA22 VALVE A | 10 L | 22 mm | A |
| 19029000225 | KIT EHV 20-330 DIA22 VALVE A | 20 L | 22 mm | A |
| 19036000225 | KIT EHV 20-330 DIA22 VALVE B | 20 L | 22 mm | B |
| 19029100225 | KIT EHV 32-330 D22 VALVE A | 32 L | 22 mm | A |
| 19036100225 | KIT EHV 32-330 DIA22 VALVE B | 32 L | 22 mm | B |
| 19054100225 | KIT EHV 50-330 DIA22 VALVE A | 50 L | 22 mm | A |
| 19040800225 | KIT EHV 20-250/330 D50 VALVE A | 20 L | 50 mm | A |
| 19041000225 | KIT EHV 32-250/330 D50 VALVE A | 32 L | 50 mm | A |
| 19029200225 | KIT EHV 50-250-330 DIA50 Valve A | 50 L | 50 mm | A |
| 01100A-00 | BLADDER KIT 1.15L 1/4" | 1 L | 16 mm | F* |
| 0300A-00 | BLADDER KIT 2.5L 1/4" | 2.5 L | 16 mm | F* |
| 0400A-00 | BLADDER KIT 4.0 1/4" | 4 L | 22 mm | F |
| 1000A-00 | BLADDER KIT 10.0L 1/4" | 10 L | 22 mm | F |
| 2000A-00 | BLADDER KIT 20.0L 1/4" | 20 L | 22 mm | F |
| 3700A-00 | BLADDER KIT 37.0L 1/4" | 37 L | 22 mm | F |
| 5400A-00 | BLADDER KIT 54.0L 1/4" | 54 L | 50 mm | F |

* Integrated gas valve



Accumulator Set

Parker Olaer have developed an Accumulator Set which is easy to install and easy to order.

- Based on standard accumulator products, according to PED2014/68/EU, EN 14359 Fluid Group 2
- Temperature range -20°C to +80°C
- Safety Block: Includes pressure relief valve sealed, CE marked by BV
- More technical information for each product within the set is available on the Parker website and in the Accumulator Catalogue

| Accumulator Set Part Number | Nominal Volume (V0) | Maximum Pressure (PS) | accumulator | clamps | Clamps Qty | Bracket | Safety block | Process connection |
|-----------------------------|---------------------|-----------------------|-------------|-------------|------------|-------------|--------------|--------------------|
| 04323001125 | 2.5 | 350 | 10854701125 | 20251003648 | 1 | 20151903620 | 35128811Y02 | 3/4" BSP |
| 04323101125 | 4 | 350 | 10845401125 | 20251303648 | 1 | 20118703620 | 35128811Y02 | 3/4" BSP |
| 04323201125 | 6 | 350 | 10857401125 | 20251303648 | 1 | 20118703620 | 35128811Y02 | 3/4" BSP |
| 04323301125 | 10 | 350 | 10859701125 | 20251303648 | 2 | 20118703620 | 35128811Y02 | 3/4" BSP |
| 04323401125 | 10 | 330 | 10837001125 | 20251503648 | 1 | 20109003620 | 35128813J02 | 3/4" BSP |
| 04323501125 | 10 | 330 | 10837001125 | 20251503648 | 1 | 20109003620 | 35129013J02 | 1"-1/4 SAE 6000 |
| 04323601125 | 20 | 330 | 10837101125 | 20251503648 | 2 | 20109003620 | 35129013J02 | 1"-1/4 SAE 6000 |
| 04323701125 | 32 | 330 | 10837301125 | 20251503648 | 2 | 20109003620 | 35129013J02 | 1"-1/4 SAE 6000 |
| 04323801125 | 50 | 330 | 11076701125 | 20251503648 | 2 | 20109003620 | 35129013J02 | 1"-1/4 SAE 6000 |

The accumulator set will be delivered in a single shipment

Accumulator pre charge at 150 Bar Nitrogen (P0)

Refer to catalogue for clamps quantity advice (additional clamps may be ordered seperately)

Includes:

- 1 x Bladder Accumulator (Pre-charged 150 bar)
- Clamp(s)
- Bracket
- Safety Block



NEW - Bladder Accumulator Set

One part number - One delivery



Global Bladder Accumulator

The Parker Global Accumulator offers multi-international certification (SELO, ASME & CE) as well as improved technology and design.

- Certification CE 350 bar / ASME 3800 psi + GB 280 Mpa only for 32L and 50L (SELO)
- Carbon steel components / Mix 25 bladder
- Standard RAL5005 epoxy painting 30-50µm
- G2” “DA” fluidport (maximum flow rate = 1200 L/min) ; Gas valve B
- Standard RAL5005 epoxy painting 30-50µm
- No precharge
- English/German/Chinese name plate with double units (SI / USA)
- Name plate ready for PTS label (PTS label coming soon)
- Special packaging (box quantity - refer to table below)

- More technical information is available on the Parker website and in the Accumulator Catalogue.

| Part Number | Description | Gas valve design | Effective Volume (Litres) | Pressure (PS) | DA fluid port connection | Box quantity |
|-------------|-------------------------|------------------|---------------------------|--|--------------------------|--------------|
| 09504401125 | EHV 10-350/94-A25HB-238 | B | 9.2 | CE : 350 Bar ASME : 3800 psi (262 Bar) This volume is out of the SELO scope | DA G2” | 9 |
| 09504601125 | EHV 20-350/94-A25HB-238 | B | 17.8 | CE : 350 Bar ASME : 3800 psi (262 Bar) This volume is out of the SELO scope | DA G2” | 9 |
| 09504801125 | EHV 32-350/AS-A25HB-238 | B | 32 | CE : 350 Bar ASME : 3800 psi (262 Bar) SELO (according to GB/T-20663-2006) : 280 bar | DA G2” | 6 |
| 09505001125 | EHV 50-350/AS-A25HB-238 | B | 47.5 | CE : 350 Bar ASME : 3800 psi (262 Bar) SELO (according to GB/T-20663-2006) : 280 bar | DA G2” | 6 |

Valve B

MIX 25

Epoxy primer RAL5005 Thickness : 30-50µm

World class Packaging and logistics

Name plate English / Chinese / German, Customer p/n and order number on name plate

**CE PS : 350 bar
ASME PS : 3800psi (262 bar)
SELO PS : 280 bar**

Carbon steel , "DA" Improved flow rate, BSPP 2”

PTS System Documentation Portal

2 week dispatch
Max qty- 1 box

Crimped Piston Accumulator ACP Series 275 bar

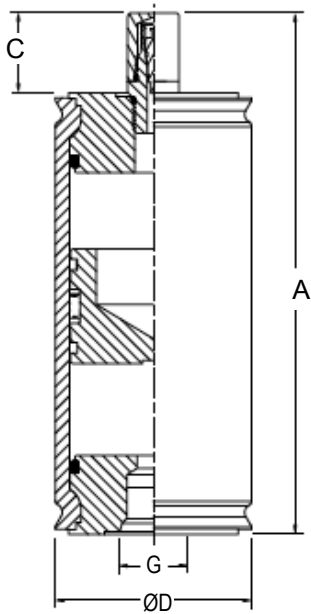
Piston Accumulator designed for Mobile applications up to 30 litres, 100mm bore and 275 bar. The ACP piston accumulator offers long, reliable service life and due to its compact & cost effective design it is ideally suited for the mobile market.

- Standard version (Carbon Steel shell/seal NBR) compatible with mineral oils.
- According to PED 2014/68/EU, EN 14359, Fluid Group 2.
- Part numbers below are nitrogen rechargeable (including gas valve)
- A wider range of products and more technical information is available on the Parker website and in the Accumulator Catalogue.

| Part number | Effective gas Volume (Litres) | Max. Working Pressure (PS)bar | Max Flow Rate l/mn** | Weight (Kg) | Dimensions (mm) | | | | | |
|----------------|-------------------------------|-------------------------------|----------------------|-------------|-----------------|------|-------|------------------|-----------------|---------------|
| | | | | | A | C | øD | ø Bore (Nominal) | G (BSPP) Female | G (BSPP) Male |
| ACP05EA100E2K* | 0.95 | 275 | 380 | 4.1 | 583 | 25.4 | 60.5 | 50 | G3/4 | G1 |
| ACP10EA200E2K | 2.00 | 275 | 1504 | 14.8 | 394 | 25.4 | 120.9 | 100 | G1 | G1 |
| ACP10EA400E2K | 4.00 | 275 | 1504 | 21 | 637 | 25.4 | 120.9 | 100 | G1 | G1 |

* According PED 2014/68/EU Article 4.3

**Note : based on 120 in/sec maximum piston speed, port&fitting size will become limiting factors for most applications



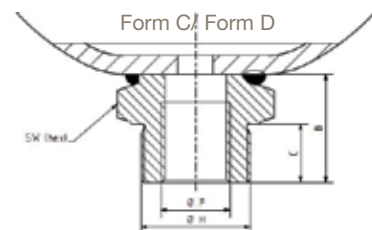
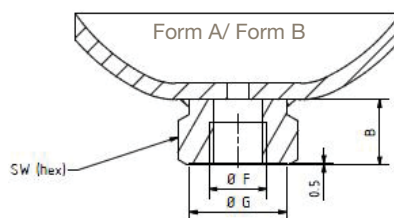
Diaphragm Accumulator DA Series

E-configurable product
DA Accumulator Series

NBR rubber mix (previous known as ELM range)

Diaphragm accumulators are inexpensive, compact and lightweight and are ideally suited where weight and space is an important consideration. Ideally suited to Mobile -Agricultural and Construction markets (140 to 350 bar/ 0.075 to 3.5L).

| Part number | Type | Clamps | Lock nut | Cross Reference OLAER | Cross Reference ADE |
|-------------------------|------------------------------|-------------------------|------------------------|-------------------------------------|---------------------|
| | | Model Part number | Model Part number | | |
| DA-007-25000AF1125PXXX* | DA-0.075L-250BAR-10849201125 | - | - | ELM 0.075-250/00/AF* 10849201125 | ADE007-25R1A2 |
| DA-016-25000AF1125PXXX* | DA-0.16L-250BAR-10849301125 | - | - | ELM 0.16-250/00/AF* 10849301125 | ADE016-25R1A2 |
| DA-032-21000AF1125PXXX* | DA-0.32L-210BAR-10986601125 | E95 (1) 20250803648 | - | ELM 0.32-210/00/AF* 10986601125 | ADE032-21R1A2 |
| DA-050-21000AF1125PXXX* | DA-0.50L-210BAR-10849501125 | E106 (1) 20250903648 | - | ELM 0.5-210/00/AF* 10849501125 | ADE050-21R1A2 |
| DA-075-21000AF1125PXXX* | DA-0.75L-210BAR-10849701125 | E114 (1) 20251003648 | - | ELM 0.75-210/00/AF* 10849701125 | ADE075-21R1A2 |
| DA-075-21000CF1125PXXX* | DA-0.75L-210BAR-10849801125 | E114 (1) 20251003648 | M33x1.5 10945700100 | ELM 0.75-210/00/CF* 10849801125 | |
| DA-075-35000AF1125PXXX* | DA-0.75L-350BAR-10931801125 | E136 (1) 20251103648 | - | ELM 0.75-350/00/AF* 10931801125 | |
| DA-100-21000AF1125PXXX* | DA-1.00L-210BAR-10984701125 | E136 (1) 20251103648 | - | ELM 1-210/00/AF* 10984701125 | ADE100-21R1A2 |
| DA-140-21090AF1125PXXX | DA-1.40L-210BAR-10996501125 | E155 (1) 20251203648 | - | ELM 1.4-210/90/AF 10996501125 | |
| DA-140-21090CF1125PXXX | DA-1.40L-210BAR-10996601125 | E155 (1) 20251203648 | M33x1.5 10945700100 | ELM 1.4-210/90/CF 10996601125 | |
| DA-140-25090AF1125PXXX | DA-1.40L-250BAR-11013201125 | E155 (1) 20251203648 | - | ELM 1.4-250/90/AF 11013201125 | ADE140-25R1C2 |
| DA-140-25090CF1125PXXX | DA-1.40L-250BAR-11013301125 | E155 (1) 20251203648 | M33x1.5 10945700100 | ELM 1.4-250/90/CF 11013301125 | |
| DA-140-35090CF1125PXXX | DA-1.40L-350BAR-10932201125 | E160 (1) 20259003648 | M33x1.5 10945700100 | ELM 1.4-350/90/CF 10932201125 | |
| DA-200-10090AF1125PXXX | DA-2.00L-100BAR-10850401125 | E155 (1) 20251203648 | - | ELM 2-100/90/AF 10850401125 | |
| DA-200-25090BF1125PXXX | DA-2.00L-250BAR-11013401125 | E155 (1) 20251203648 | - | ELM 2-250/90/AF 11013401125 | |
| DA-280-25090BF1125PXXX | DA-2.80L-250BAR-10887901125 | E168 (1) 20251303648 | - | ELM 2.8-250/90/AF 10887901125 | ADE280-25R1C2 |
| DA-280-35090BF1125PXXX | DA-2.80L-350BAR-10975801125 | E180 (1) 20243203625 | - | ELM 2.8-350/90/AF 10975801125 | |
| DA-280-35090DF1125PXXX | DA-2.80L-350BAR-10975901125 | E180 (1) 20243203625 | M45X1.5 | ELM 2.8-350/90/CF 10975901125 | |
| DA-350-25090BF1125PXXX | DA-3.50L-250BAR-10850501125 | E168 (1) 20251303648 | - | ELM 3.5-250/90/AF 10850501125 | ADE350-25R1C2 |

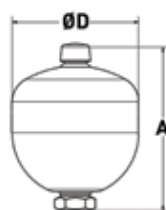


- Standard version (Carbon Steel shell/ NBR Mix 25) for mineral oils and (Carbon Steel shell/ NBR Mix 02)for low temperature
- A wider range of products and more technical information is available on the Parker website, Accumulator Catalogue and **DA Accumulator Econfigurator**.



E-configurable product
DA Accumulator Series

| Type | Effective Gas vol. Litres | Max. Working pressure (PS) bar | Temp. Min/ Max (°C) | Max. Pre-charge bar | Weight kg | Dimensions in mm | | | | | | Oilport | |
|------------------------------|---------------------------|--------------------------------|---------------------|---------------------|-----------|------------------|----|----|----|-----|----|---------|---------|
| | | | | | | A max Height | B | C | SW | D | G | F | H |
| DA-0.075L-250BAR-10849201125 | 0.075 | 250 | -10/+80 | 130 | 0.7 | 112 | 20 | | 32 | 64 | 29 | G½ | - |
| DA-0.16L-250BAR-10849301125 | 0.16 | 250 | -10/+80 | 130 | 1 | 120 | 20 | | 32 | 75 | 29 | G½ | - |
| DA-0.32L-210BAR-10986601125 | 0.32 | 210 | -10/+80 | 130 | 1.4 | 135 | 20 | | 32 | 92 | 29 | G½ | - |
| DA-0.50L-210BAR-10849501125 | 0.5 | 210 | -20/+80 | 130 | 2 | 153 | 22 | | 41 | 107 | 34 | G½ | - |
| DA-0.75L-210BAR-10849701125 | 0.75 | 210 | -20/+80 | 130 | 2.6 | 167 | 22 | | 41 | 122 | 34 | G½ | - |
| DA-0.75L-210BAR-10849801125 | 0.75 | 210 | -20/+80 | 130 | 2.6 | 178 | 33 | 18 | 41 | 122 | - | G½ | M33x1.5 |
| DA-0.75L-350BAR-10931801125 | 0.75 | 350 | -20/+80 | 130 | 4 | 174 | 22 | | 41 | 128 | 34 | G½ | - |
| DA-1.00L-210BAR-10984701125 | 1 | 210 | -20/+80 | 130 | 3.5 | 182 | 22 | | 41 | 136 | 34 | G½ | - |
| DA-1.40L-210BAR-10996501125 | 1.4 | 210 | -20/+80 | 130 | 4.2 | 192 | 22 | | 41 | 148 | 34 | G½ | - |
| DA-1.40L-210BAR-10996601125 | 1.4 | 210 | -20/+80 | 130 | 4.2 | 203 | 33 | 18 | 41 | 148 | - | G½ | M33x1.5 |
| DA-1.40L-250BAR-11013201125 | 1.4 | 250 | -20/+80 | 130 | 5.4 | 196 | 22 | | 41 | 152 | 34 | G½ | |
| DA-1.40L-250BAR-11013301125 | 1.4 | 250 | -20/+80 | 130 | 6 | 207 | 33 | 18 | 41 | 152 | - | G½ | M33x1.5 |
| DA-1.40L-350BAR-10932201125 | 1.4 | 350 | -20/+80 | 130 | 7 | 221 | 44 | 18 | 44 | 156 | - | G½ | M33x1.5 |
| DA-2.00L-100BAR-10850401125 | 2 | 100 | -10/+80 | 100 | 3.5 | 241 | 22 | | 41 | 145 | 34 | G½ | |
| DA-2.00L-250BAR-11013401125 | 2 | 250 | -10/+80 | 130 | 9.5 | 252 | 22 | | 41 | 156 | 33 | G3/4 | |
| DA-2.80L-250BAR-10887901125 | 2.8 | 250 | -10/+80 | 130 | 8.5 | 269 | 20 | | 41 | 168 | 33 | G3/4 | |
| DA-2.80L-350BAR-10975801125 | 2.8 | 350 | -10/+80 | 130 | 14.3 | 265 | 23 | | 55 | 180 | 34 | G3/4 | |
| DA-2.80L-350BAR-10975901125 | 2.8 | 350 | -10/+80 | 130 | 14.5 | 286 | 21 | 20 | 55 | 180 | - | G3/4 | M45x1.5 |
| DA-3.50L-250BAR-10850501125 | 3.5 | 250 | -10/+80 | 130 | 10.2 | 314 | 20 | | 41 | 168 | 33 | G3/4 | |



Clamps

Parker Olaer Clamps are designed to allow quick and easy installation of hydraulic accumulators.

- Available in carbon and stainless steel.
- Steel with zinc plated protection, Rubber EPDM (48) or NBR (25)
- A wider range of products and more technical information is available on the Parker website and in the Accumulator Catalogue.

| Part Number | Description | inlet diameter | Design |
|-------------|-------------|----------------|--------|
| 20149203625 | A56 | 54-56 | E |
| 20250803648 | E95 | 97-97 | E |
| 20250903648 | E106 | 99-109 | E |
| 20251003648 | E114 | 112-124 | E |
| 20251103648 | E136 | 128-124 | E |
| 20251203648 | E155 | 146-157 | E |
| 20259003648 | E160 | 155-165 | E |
| 20251303648 | E168 | 166-176 | E |
| 20251503648 | D226 | 215-226 | D |

Design E



Design D

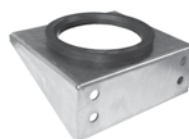


Brackets

Parker Olaer Brackets are designed to allow quick and easy installation of accumulators.

- Available in carbon and stainless steel
- Carbon steel zinc plated and NBR cushion ring
- A wider range of products and more technical information is available on the Parker website and in the Accumulator Catalogue.

| Part Number | Description | Bladder Accumulator model |
|-------------|-------------|---------------------------|
| 20151903620 | CE89 | 1 to 5 liters |
| 20118703620 | CE108 | 4, 6 , 10 liters |
| 20109003620 | CE159A | 10 to 50 liters |



Charging Sets

The Parker Charging kit is an indispensable instrument for checking, adjusting or filling nitrogen into most of the hydraulic accumulators available on the market.

- For membrane accumulators no adaptor is required.
- All country adaptors and more technical data available
- A wider range of products and more technical information is available on the Parker website and in the Accumulator Catalogue.

| Part Number | Description | Country | Pressure |
|-------------|----------------------|-------------|----------|
| 20214122823 | VGU/F.25/250.8.TS2.3 | France | 0-250 |
| 20214122833 | VGU/F.25/250.8.TS3.3 | Germany | 0-250 |
| 20214122893 | VGU/F.25/250.8.TS9.3 | Netherlands | 0-250 |

Charging Set Includes:

- VGU universal tester and pressuriser
- Set of accumulator adaptors (5/8", 7/8", 7/8" long, G1/4", 8V1)
- 1 pressure gauge 0-25 Bar
- 1 pressure gauge 0-250 Bar (other pressure gauges available on request)
- Special nitrogen hose (length 2,5 m)
- Nitrogen connection according to country standard.



Safety Blocks

Parker Olaer has developed a complete range of Accumulator Safety Blocks for all standard and special applications. An accumulator safety block provides a safe solution for accumulator maintenance and operation.

- Safety blocks delivered assembled
- Minimum Temp: -15°C (except size 10: -10°C) Maximum Temp: +70°C (except size 16: +80°C)
- Pressure relief valve sealed, delivered with EC declaration of manufacturing conformity
- Also available with electrical drain valve (24 V DC or 110 V AC or 220 V AC)

- A wider range of products and more technical information is available on the Parker website and in the Accumulator Catalogue.

Safety Block with EC Safety Valve - certified by BV

| Part Number | Description | Size | Pressure (Bar) | Accumulator Connection | Process Connection | Image |
|-------------|----------------|------|----------------|------------------------|--------------------|-------|
| 35172112Y02 | DI10MS/2/350CV | 10 | 350 | 3/4" | G 1/2" | A |
| 35172111Y02 | DI10MS/1/350CV | 10 | 350 | 1"-1/4 | G 1/2" | A |
| 35128811Y02 | DI16MS/1/350CV | 16 | 350 | 1"-1/4 | G 3/4 " | B |
| 35128813J02 | DI16MS/3/330CV | 16 | 330 | 2" | G 3/4" | B |
| 35129011Y02 | DI24MS/1/350CV | 24 | 350 | 1"-1/4 | 1-1/4" SAE 6000 | D |
| 35129013J02 | DI24MS/3/330CV | 24 | 330 | 2" | 1-1/4" SAE 6000 | D |

Safety Block with EC Safety Valve - certified by TUV

| Part Number | Description | Size | Pressure (Bar) | Accumulator Connection | Process Connection | Image |
|--------------------|-----------------------|------|----------------|------------------------|--------------------|-------|
| FTD.021-1-10333000 | DI 10 MS 2-330-BH-000 | 10 | 330 | Requires Adaptor | G 1/2" | A |
| FTD.021-1-10213000 | DI 10 MS 2-211-BH-000 | 10 | 210 | Requires Adaptor | G 1/2" | A |
| FTD.021-2-10303000 | DI 20 MS 2-300-BH-000 | 20 | 300 | Requires Adaptor | G 1" | C |
| FTD.021-2-10333000 | DI 20 MS 2-330-BH-000 | 20 | 330 | Requires Adaptor | G 1" | C |

| | | |
|---------------|------------------|--------------------------------|
| FTD.21-D30102 | Adaptor G 3/4" | Adaptors for FTD Safety Blocks |
| FTD.21-D30103 | Adaptor G 1-1/4" | |
| FTD.21-D30104 | Adaptor G 2" | |

Image A

Image B

Image C

Image D



Pressure Relief Valve Block

Parker Olaer has developed a complete range of pressure relief valve blocks for all standard applications. This provides the minimal pressure protection required to protect an accumulator against excessive pressure.

- Pressure relief block delivered assembled; Pressure relief valve sealed delivered with EC certified by BV declaration of manufacturing conformity.
- A wider range of products and more technical information is available on the Parker website and in the Accumulator Catalogue.

| Part Number | Description | Size | Pressure (Bar) | Accumulator Connection | Image | | | | | | | | | | | | | | | | | |
|-------------|---------------|------|----------------|------------------------|-------------|---------------|----|-------|----|---|-------------|---------------|----|-------|------|---|-------------|---------------|----|-------|------|---|
| 35170913502 | SL 16/1/350CV | 16 | 350 B | 1"-1/4 | A | | | | | | | | | | | | | | | | | |
| 35170913302 | SL 16/1/330CV | 16 | 330 B | 1"-1/4 | A | | | | | | | | | | | | | | | | | |
| 35170733302 | SL 24/3/330CV | 24 | 2" | A | 35170732502 | SL 24/3/250CV | 24 | 250 B | 2" | A | 35170602502 | SD 24/0/250CV | 24 | 250 B | 1/2" | B | 35170603302 | SD 24/0/330CV | 24 | 330 B | 1/2" | B |
| 35170732502 | SL 24/3/250CV | 24 | 250 B | 2" | A | | | | | | | | | | | | | | | | | |
| 35170602502 | SD 24/0/250CV | 24 | 250 B | 1/2" | B | | | | | | | | | | | | | | | | | |
| 35170603302 | SD 24/0/330CV | 24 | 330 B | 1/2" | B | | | | | | | | | | | | | | | | | |

Image A



Image B

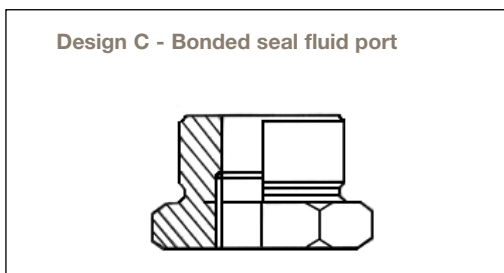
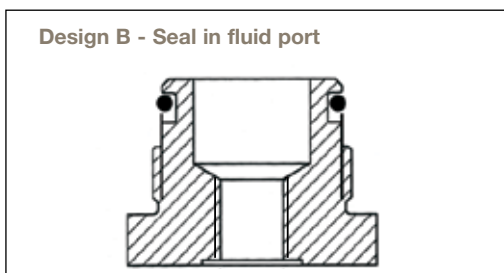
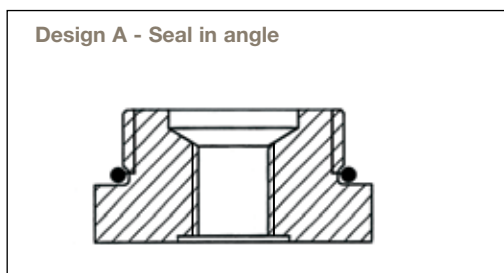


Adaptors

Parker Olaer has developed a complete range of adaptors for all standard fluid ports. The adaptors ensure that you have the right connection according to your network piping.

- Carbon steel plated ; also available in stainless steel
- A wider range of products and more technical information is available on the Parker website and in the Accumulator Catalogue.

| Part Number | Dimension | Design | Sealing system |
|-------------|------------------|--------|--------------------|
| 04556400223 | G3/4 --> G3/8 | A | Seal in angle |
| 04502000223 | G3/4 --> BLIND | A | Seal in angle |
| 04555100233 | G 1-1/4 --> G1/2 | A | Seal in angle |
| 04555200223 | G1-1/4 --> G3/4 | A | Seal in angle |
| 04502200223 | G1-1/4 --> Blind | A | Seal in angle |
| 04556900223 | G2 --> G3/4 | A | Seal in angle |
| 04557000223 | G2 --> G1 | A | Seal in angle |
| 04557100223 | G2 --> G1-1/4 | A | Seal in angle |
| 04502400223 | G2 --> Blind | A | Seal in angle |
| 04555800223 | G 1-1/4 --> G1/2 | B | Seal in fluid port |
| 04555900223 | G1-1/4 --> G3/4 | B | Seal in fluid port |
| 04557800223 | G2 --> G3/4 | B | Seal in fluid port |
| 04557900223 | G2 --> G1 | B | Seal in fluid port |
| 04558000223 | G2 --> G1-1/4 | B | Seal in fluid port |
| 50038-V10 | G 1-1/4 --> G1/2 | C | Bonded seal |
| 50040-V10 | G1-1/4 --> G3/4 | C | Bonded seal |
| 50042-V10 | G2 --> G1/2 | C | Bonded seal |
| 50043-V10 | G2 --> G 3/4 | C | Bonded seal |
| 50044-V10 | G2 --> G1 | C | Bonded seal |

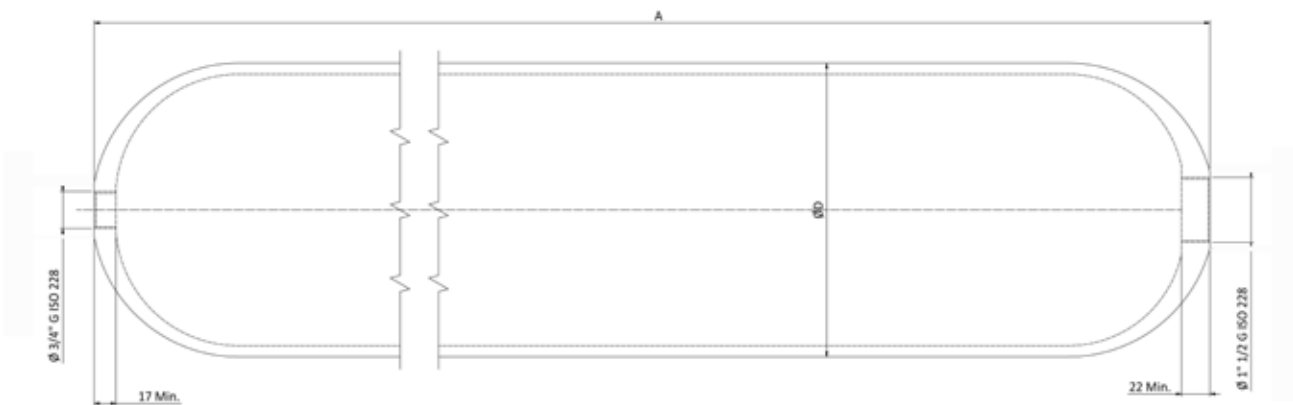


Gas Bottles

Parker Gas Bottles store nitrogen under pressure and provide additional gas volume typically for accumulator systems. The BAWN Gas Bottles without neck are interchangeable and can easily replace an existing unit whilst also offering a cost effective solution for hydraulic systems.

- According to PED 2014/68/EU, EN 14359 and ASME VIII div1 App22. Fluid Group 2.

| Part Number | Description | Volume (L) | Pressure (bar) | Dimensions (mm) | | Fluid port connection |
|-------------|--|------------|----------------|-----------------|-----|-----------------------|
| | | | | A | D | |
| 83101030 | BAWN 50.360-207 PED+U NO/NECK 1"1/2-3/4"GAS CIL. | 50 | 360 | 1615 | 229 | G3/4 & G1-1/2 |
| 83101040 | BAWN 75.360-207 PED+U NO/NECK 1"1/2-3/4"GAS CIL. | 75 | 360 | 2280 | 229 | G3/4 & G1-1/2 |



How to size an accumulator

Accumulator Sizing Software

www.parker.com/acde

Parker Olaer has developed very sophisticated simulation software to optimise accumulator sizing recommendations.

Calculations are based on the real gas equation and real gases. The software allows for temperature and flow characteristics and has an intuitive Windows format that is easy to use!

The behaviour of accumulators used in applications such as pulsation dampening, surge arrestor, thermal expansion and energy storage can be simulated.

The latest version of the sizing software can be downloaded from our website.



Sizing Questionnaires

Customers can complete a sizing questionnaire and send this to the local Parker Sales Office so that the most efficient accumulator can be sized for your application.

You can download the sizing questionnaires from our website www.parker.com/acde or click on the links below if you are viewing a digital version of this document.

There are 4 questionnaires to select from:-

1. **Energy Storage - LINK**
2. **Thermal Expansion in a closed circuit - LINK**
3. **Surge Arrestor / Waterhammer - LINK**
4. **Pulsation Damper - LINK**

DATA SHEET Application : ENERGY STORAGE

Date:

| | |
|---|----------------------|
| Company Name: | Contact Name: |
| Market Segment: <small>expl. O&G, Distribution, Marine, Industrial, Offshore, Service</small> | E-mail: |
| Address: | Telephone: |
| Website: | |

SIZING DATA

| | | | |
|--|---------|--|---------|
| Describe application: | | | |
| Please attached system scheme | | | |
| Fluid Type: | | | |
| Volume of Fluid to be restored: | | | Ltr. |
| Dual Time (Charge-Stabilisation-Discharge): | | | Sec |
| Maximum Working Pressure (P2): | | | Bar |
| Minimum Working Pressure (P1): | | | Bar |
| Fluid Temperature during Operation: | Min. °C | | Max. °C |
| Certification: | | | |

TECHNICAL SPECIFICATION OR SPECIAL REQUIREMENTS HAVE TO BE FILLED IN

- Material options :
- Special Port Connections and adaptors :
- Special Coatings :
- End user country :

If there is no special requirement, we will offer standard connection and material according to the fluid and PED 97/23/EC (**)



Coolers

Air Oil Coolers & Water Oil Coolers and Pumps



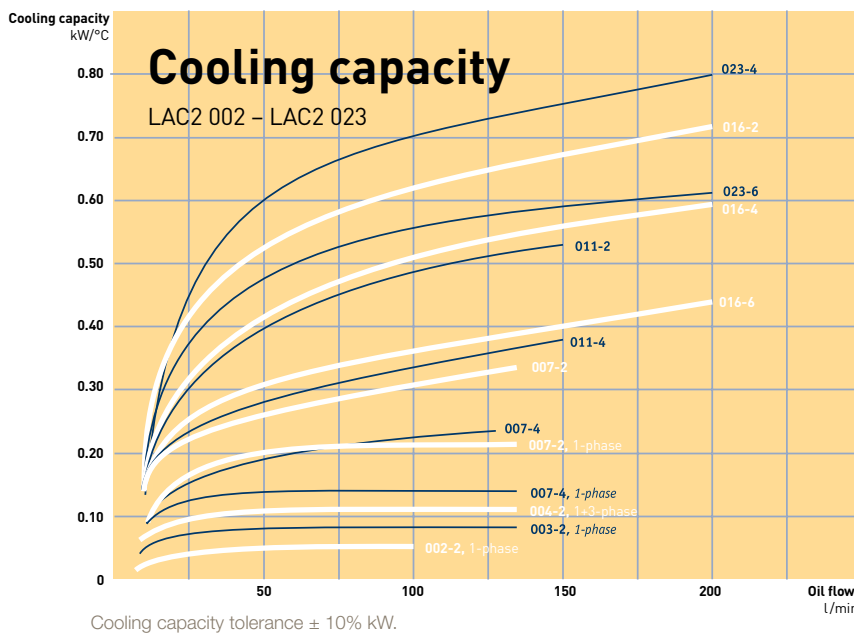
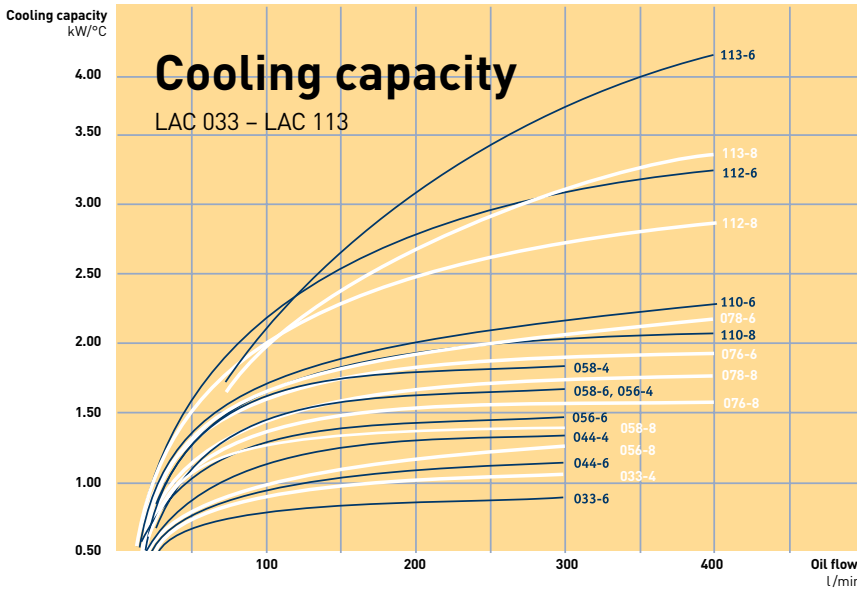
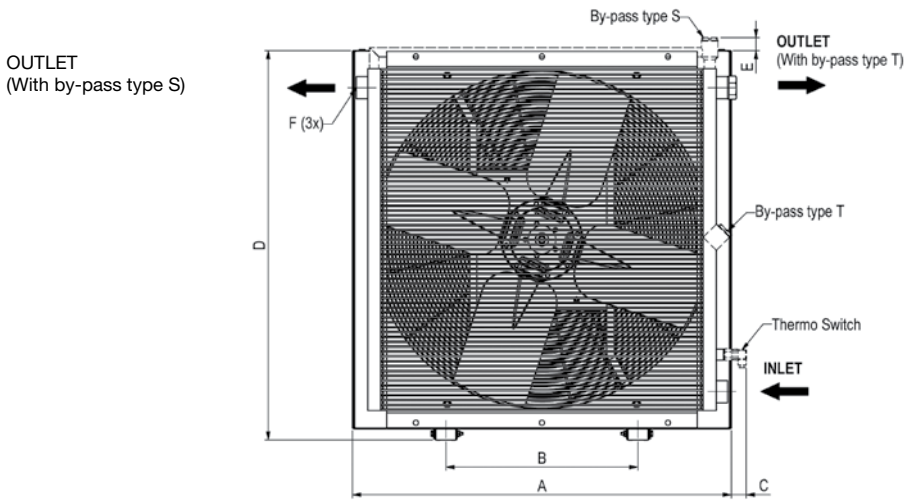
Air Oil Cooler with AC Motor - LAC Series

Suitable for most Industrial applications, the LAC air oil cooler series offers an efficient and robust design and is available in a range of cooling capacities from 1kW to 300 kW.

- A wider range of products and more technical information is available on the Parker website and in the LAC Cooler Catalogue.

| Part Number | TYPE | Dimensions (mm) | | | | | | | | | | | | |
|--------------------------|-------------------------|-----------------|-----|----|-----|----|-----|-----|-----|-----|-----|-----|----|------|
| | | A | B | C | D | E | F | G | H | I | J | K | L | Mø |
| LAC2-0042DB00000000S0JB0 | LAC2-004-2-D-00-000-0-0 | 267 | 134 | 82 | 256 | 69 | G1 | 148 | 90 | 131 | 165 | 222 | 28 | 9x14 |
| LAC2-0042DB50000000S0JB0 | LAC2-004-2-D-50-000-0-0 | 267 | 134 | 82 | 256 | 69 | G1 | 148 | 90 | 131 | 165 | 222 | 28 | 9x14 |
| LAC2-0074DC00000000S0JB0 | LAC2-007-4-D-00-000-0-0 | 365 | 203 | 64 | 395 | 42 | G1 | 510 | 160 | 213 | 225 | 429 | 50 | 9 |
| LAC2-0074DC50000000S0JB0 | LAC2-007-4-D-50-000-0-0 | 365 | 203 | 64 | 395 | 42 | G1 | 510 | 160 | 213 | 225 | 429 | 50 | 9 |
| LAC2-0074DC00S50200S0JB0 | LAC2-007-4-D-00-S50-0-0 | 365 | 203 | 64 | 395 | 42 | G1 | 510 | 160 | 213 | 225 | 429 | 50 | 9 |
| LAC2-0074DC50S50200S0JB0 | LAC2-007-4-D-50-S50-0-0 | 365 | 203 | 64 | 395 | 42 | G1 | 510 | 160 | 213 | 225 | 429 | 50 | 9 |
| LAC2-0114DC00000000S0JB0 | LAC2-011-4-D-00-000-0-0 | 440 | 203 | 62 | 470 | 41 | G1 | 510 | 230 | 250 | 249 | 453 | 50 | 9 |
| LAC2-0114DC50000000S0JB0 | LAC2-011-4-D-50-000-0-0 | 440 | 203 | 62 | 470 | 41 | G1 | 510 | 230 | 250 | 249 | 453 | 50 | 9 |
| LAC2-0114DC00S50200S0JB0 | LAC2-011-4-D-00-S50-0-0 | 440 | 203 | 62 | 470 | 41 | G1 | 510 | 230 | 250 | 249 | 453 | 50 | 9 |
| LAC2-0114DC50S50200S0JB0 | LAC2-011-4-D-50-S50-0-0 | 440 | 203 | 62 | 470 | 41 | G1 | 510 | 230 | 250 | 249 | 453 | 50 | 9 |
| LAC2-0164DC00000000S0JB0 | LAC2-016-4-D-00-000-0-0 | 496 | 203 | 66 | 526 | 46 | G1 | 510 | 230 | 278 | 272 | 479 | 50 | 9 |
| LAC2-0164DC50000000S0JB0 | LAC2-016-4-D-50-000-0-0 | 496 | 203 | 66 | 526 | 46 | G1 | 510 | 230 | 278 | 272 | 479 | 50 | 9 |
| LAC2-0164DC00S50200S0JB0 | LAC2-016-4-D-00-S50-0-0 | 496 | 203 | 66 | 526 | 46 | G1 | 510 | 230 | 278 | 272 | 479 | 50 | 9 |
| LAC2-0164DC50S50200S0JB0 | LAC2-016-4-D-50-S50-0-0 | 496 | 203 | 66 | 526 | 46 | G1 | 510 | 230 | 278 | 272 | 479 | 50 | 9 |
| LAC2-0234AC00000000S0JB0 | LAC2-023-4-D-00-000-0-0 | 580 | 356 | 63 | 610 | 44 | G1 | 510 | 305 | 320 | 287 | 511 | 50 | 9 |
| LAC2-0234AC50000000S0JB0 | LAC2-023-4-D-50-000-0-0 | 580 | 356 | 63 | 610 | 44 | G1 | 510 | 305 | 320 | 287 | 511 | 50 | 9 |
| LAC2-0234AC00S50200S0JB0 | LAC2-023-4-D-00-S50-0-0 | 580 | 356 | 63 | 610 | 44 | G1 | 510 | 305 | 320 | 287 | 511 | 50 | 9 |
| LAC2-0234AC50S50200S0JB0 | LAC2-023-4-D-50-S50-0-0 | 580 | 356 | 63 | 610 | 44 | G1 | 510 | 305 | 320 | 287 | 511 | 50 | 9 |
| LAC-0334AC00000000S0JB0 | LAC-033-4-A-00-000-0-0 | 692 | 356 | 53 | 722 | 42 | G1¼ | 510 | 406 | 376 | 318 | 618 | 50 | 9 |
| LAC-0334AC50000000S0JB0 | LAC-033-4-A-50-000-0-0 | 692 | 356 | 53 | 722 | 42 | G1¼ | 510 | 406 | 376 | 318 | 618 | 50 | 9 |
| LAC-0334AC00S50200S0JB0 | LAC-033-4-A-00-S50-0-0 | 692 | 356 | 53 | 722 | 42 | G1¼ | 510 | 406 | 376 | 318 | 618 | 50 | 9 |
| LAC-0334AC50S50200S0JB0 | LAC-033-4-A-50-S50-0-0 | 692 | 356 | 53 | 722 | 42 | G1¼ | 510 | 406 | 376 | 318 | 618 | 50 | 9 |
| LAC-0444AC00000000S0JB0 | LAC-044-4-A-00-000-0-0 | 692 | 356 | 53 | 866 | 59 | G1¼ | 510 | 584 | 448 | 343 | 643 | 50 | 9 |
| LAC-0444AC50000000S0JB0 | LAC-044-4-A-50-000-0-0 | 692 | 356 | 53 | 866 | 59 | G1¼ | 510 | 584 | 448 | 343 | 643 | 50 | 9 |
| LAC-0444AC00S50200S0JB0 | LAC-044-4-A-00-S50-0-0 | 692 | 356 | 53 | 866 | 59 | G1¼ | 510 | 584 | 448 | 343 | 643 | 50 | 9 |
| LAC-0444AC50S50200S0JB0 | LAC-044-4-A-50-S50-0-0 | 692 | 356 | 53 | 866 | 59 | G1¼ | 510 | 584 | 448 | 343 | 643 | 50 | 9 |
| LAC-0584AC00000000S0JB0 | LAC-058-4-A-00-000-0-0 | 868 | 508 | 49 | 898 | 43 | G2 | 510 | 584 | 464 | 388 | 688 | 30 | 9 |
| LAC-0584AC50000000S0JB0 | LAC-058-4-A-50-000-0-0 | 868 | 508 | 49 | 898 | 43 | G2 | 510 | 584 | 464 | 388 | 688 | 30 | 9 |
| LAC-0584AC00S50200S0JB0 | LAC-058-4-A-00-S50-0-0 | 868 | 508 | 49 | 898 | 43 | G2 | 510 | 584 | 464 | 388 | 688 | 30 | 9 |
| LAC-0584AC50S50200S0JB0 | LAC-058-4-A-50-S50-0-0 | 868 | 508 | 49 | 898 | 43 | G2 | 510 | 584 | 464 | 388 | 688 | 30 | 9 |





2 day dispatch
Max qty-
3 units

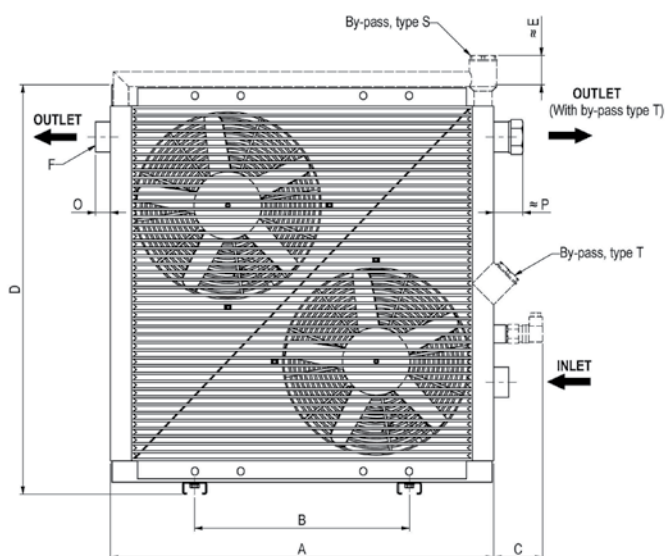
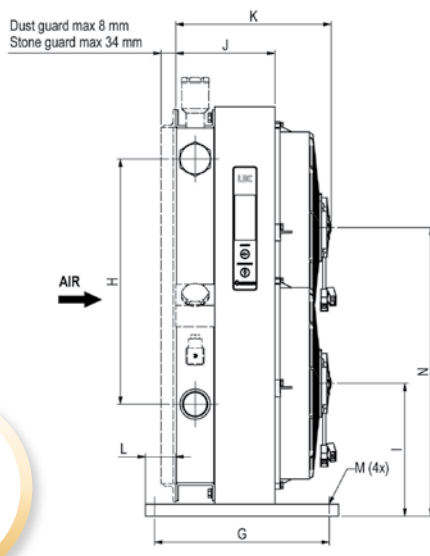
Air Oil Cooler with DC Motor - LDC Series

The LDC air oil cooler series with 12 or 24V DC motor is optimized for use in the mobile industry and is available in a range of cooling capacities from 1kW to 30 kW.

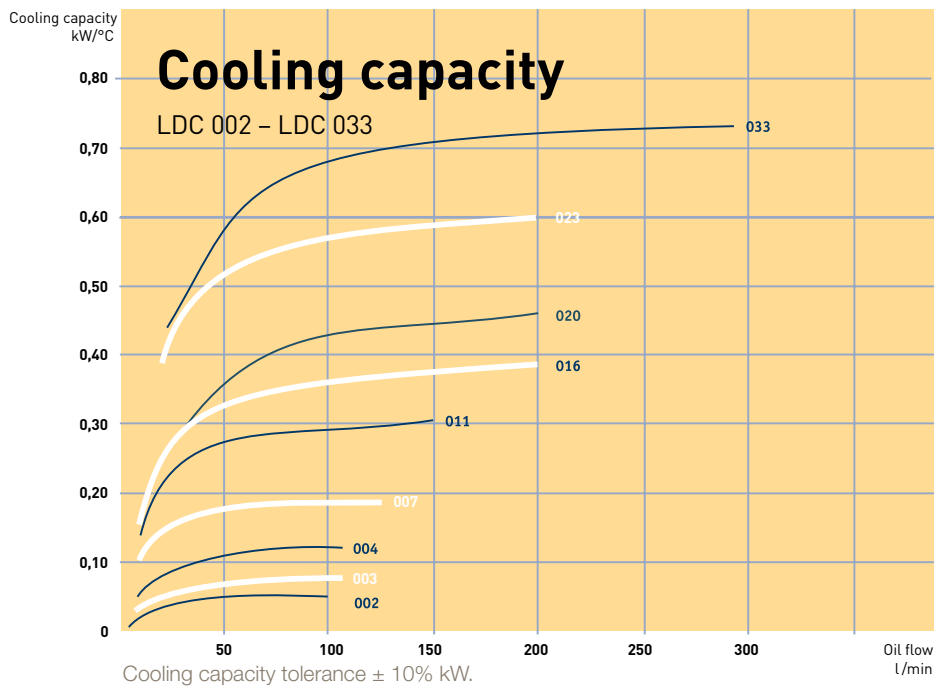
- A wider range of products and more technical information is available on the Parker website and in the LDC Cooler Catalogue.

| Part Number | TYPE | Dimensions (mm) | | | | | | | | | | | | | | | Weight kg (approx) | Acoustic Pressure LpA dB(A)1m* | |
|-------------|------------------------|-----------------|-----|----|-----|----|-----|-----|-----|-----|-----|-----|----|------|-----|----|--------------------|--------------------------------|----|
| | | A | B | C | D | E | F | G | H | I | J | K | L | Mø | N | O | | | P |
| 5837007007 | LDC-007-B-0-00-000-0-0 | 330 | 203 | 82 | 345 | 54 | G1 | 267 | 160 | 175 | 115 | 178 | 59 | 9 | - | 23 | 44 | 9 | 71 |
| 5837007002 | LDC-007-B-0-50-000-0-0 | 330 | 203 | 82 | 345 | 54 | G1 | 267 | 160 | 175 | 115 | 178 | 59 | 9 | - | 23 | 44 | 9 | 71 |
| 5837007034 | LDC-007-B-0-00-S50-0-0 | 330 | 203 | 82 | 345 | 54 | G1 | 267 | 160 | 175 | 115 | 178 | 59 | 9 | - | 23 | 44 | 9 | 71 |
| 5837007060 | LDC-007-B-0-50-S50-0-0 | 330 | 203 | 82 | 345 | 54 | G1 | 267 | 160 | 175 | 115 | 178 | 59 | 9 | - | 23 | 44 | 9 | 71 |
| 5827011025 | LDC-011-B-0-00-000-0-0 | 400 | 360 | 82 | 396 | 65 | G1 | 101 | 230 | 200 | 125 | 218 | - | 9x29 | - | 23 | 44 | 12 | 74 |
| 5827011002 | LDC-011-B-0-50-000-0-0 | 400 | 360 | 82 | 396 | 65 | G1 | 101 | 230 | 200 | 125 | 218 | - | 9x29 | - | 23 | 44 | 12 | 74 |
| 5827011020 | LDC-011-B-0-00-S50-0-0 | 400 | 360 | 82 | 396 | 65 | G1 | 101 | 230 | 200 | 125 | 218 | - | 9x29 | - | 23 | 44 | 12 | 74 |
| 5827011017 | LDC-011-B-0-50-S50-0-0 | 400 | 360 | 82 | 396 | 65 | G1 | 101 | 230 | 200 | 125 | 218 | - | 9x29 | - | 23 | 44 | 12 | 74 |
| 5827016012 | LDC-016-B-0-00-000-0-0 | 464 | 416 | 82 | 466 | 63 | G1 | 101 | 300 | 235 | 125 | 218 | - | 9x29 | - | 23 | 44 | 15 | 74 |
| 5827016002 | LDC-016-B-0-50-000-0-0 | 464 | 416 | 82 | 466 | 63 | G1 | 101 | 300 | 235 | 125 | 218 | - | 9x29 | - | 23 | 44 | 15 | 74 |
| 5827016023 | LDC-016-B-0-00-S50-0-0 | 464 | 416 | 82 | 466 | 63 | G1 | 101 | 300 | 235 | 125 | 218 | - | 9x29 | - | 23 | 44 | 15 | 74 |
| 5827016022 | LDC-016-B-0-50-S50-0-0 | 464 | 416 | 82 | 466 | 63 | G1 | 101 | 300 | 235 | 125 | 218 | - | 9x29 | - | 23 | 44 | 15 | 74 |
| 5827023012 | LDC-023-B-0-00-000-0-0 | 615 | 356 | 46 | 635 | 26 | G1 | 290 | 305 | 200 | 125 | 218 | 50 | 13 | 455 | - | 8 | 25 | 77 |
| 5827023002 | LDC-023-B-0-50-000-0-0 | 615 | 356 | 46 | 635 | 26 | G1 | 290 | 305 | 200 | 125 | 218 | 50 | 13 | 455 | - | 8 | 25 | 77 |
| 5827023004 | LDC-023-B-0-00-S50-0-0 | 615 | 356 | 46 | 635 | 26 | G1 | 290 | 305 | 200 | 125 | 218 | 50 | 13 | 455 | - | 8 | 25 | 77 |
| 5827023015 | LDC-023-B-0-50-S50-0-0 | 615 | 356 | 46 | 635 | 26 | G1 | 290 | 305 | 200 | 125 | 218 | 50 | 13 | 455 | - | 8 | 25 | 77 |
| 5827033008 | LDC-033-B-0-00-000-0-0 | 635 | 356 | 82 | 678 | 59 | G1¼ | 290 | 406 | 220 | 165 | 258 | 50 | 13 | 478 | 25 | 49 | 30 | 77 |
| 5827033002 | LDC-033-B-0-50-000-0-0 | 635 | 356 | 82 | 678 | 59 | G1¼ | 290 | 406 | 220 | 165 | 258 | 50 | 13 | 478 | 25 | 49 | 30 | 77 |
| 5827033011 | LDC-033-B-0-00-S50-0-0 | 635 | 356 | 82 | 678 | 59 | G1¼ | 290 | 406 | 220 | 165 | 258 | 50 | 13 | 478 | 25 | 49 | 30 | 77 |
| 5827033004 | LDC-033-B-0-50-S50-0-0 | 635 | 356 | 82 | 678 | 59 | G1¼ | 290 | 406 | 220 | 165 | 258 | 50 | 13 | 478 | 25 | 49 | 30 | 77 |

* = Noise level tolerance ± 3 dB(A)



2 day dispatch
Max qty- 3 units



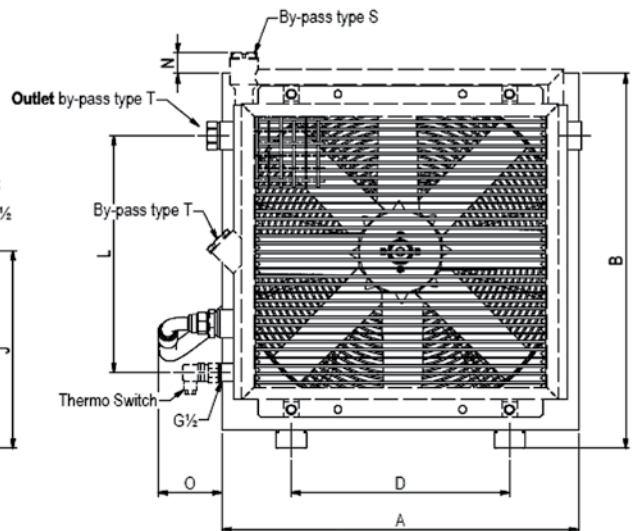
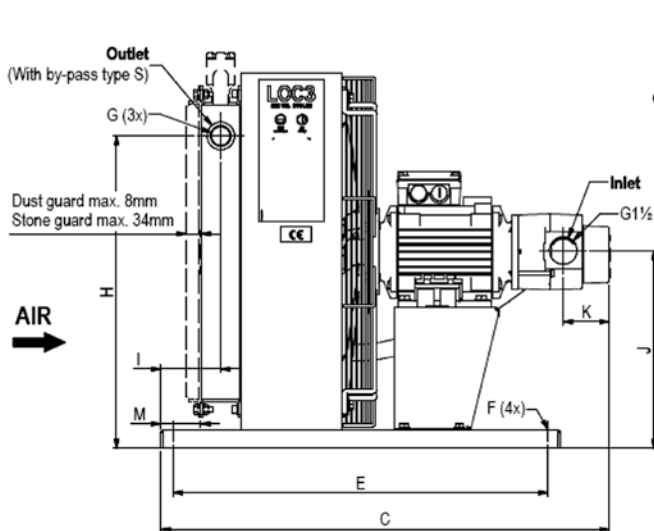
The cooling capacity curves are based on the inlet oil temperature and the ambient air temperature. An oil temperature of 60 °C and an air temperature of 20 °C produce a temperature difference of 40 °C. Multiply by kW/°C for total cooling capacity.



Air Oil Cooler with AC Motor & Pump - LOC Series

LOC cooler works as a closed cooling loop. The LOC Air Oil Cooling System with AC-motor and pump provides cooling up to 45kW. Its robust construction makes it suitable for most applications and environments.
- A wider range of products and more technical information is available on the Parker website and in the LOC Cooler Catalogue.

| Part Number | TYPE | Dimensions (mm) | | | | | | | | | | | | | | |
|-------------|--------------------------------|-----------------|-----|-----|-----|-----|-----|--------|-----|-----|-----|-----|-----|----|----|-----|
| | | A | B | C | D | E | F | G | H | I | J | K | L | M | N | O |
| 5849007001 | LOC3-007-4-D-A-0-00-000-0-00-0 | 365 | 395 | 602 | 203 | 510 | ∅9 | G1 | 292 | 83 | 214 | 62 | 80 | 50 | 45 | 105 |
| 5849007201 | LOC3-007-4-D-B-0-00-000-0-00-0 | 365 | 395 | 615 | 203 | 510 | ∅9 | G1 | 292 | 83 | 214 | 74 | 80 | 50 | 45 | 105 |
| 5849011001 | LOC3-011-4-D-A-0-00-000-0-00-0 | 440 | 470 | 626 | 203 | 510 | ∅9 | G1 | 366 | 83 | 252 | 62 | 175 | 50 | 41 | 103 |
| 5849011201 | LOC3-011-4-D-B-0-00-000-0-00-0 | 440 | 470 | 639 | 203 | 510 | ∅9 | G1 | 366 | 83 | 252 | 74 | 175 | 50 | 41 | 103 |
| 5849016201 | LOC3-016-4-D-B-0-00-000-0-00-0 | 365 | 395 | 680 | 203 | 510 | ∅9 | G1 | 292 | 83 | 214 | 100 | 80 | 50 | 45 | 105 |
| 5849016401 | LOC3-016-4-D-C-0-00-000-0-00-0 | 496 | 526 | 712 | 203 | 510 | ∅9 | G1 | 427 | 83 | 280 | 87 | 300 | 50 | 46 | 107 |
| 5849016601 | LOC3-016-4-D-D-0-00-000-0-00-0 | 496 | 526 | 725 | 203 | 510 | ∅9 | G1 | 427 | 83 | 280 | 100 | 300 | 50 | 46 | 107 |
| 5849023001 | LOC3-023-4-D-B-0-00-000-0-00-0 | 580 | 610 | 729 | 356 | 610 | ∅14 | G1 | 509 | 98 | 322 | 74 | 385 | 65 | 44 | 104 |
| 5849023201 | LOC3-023-4-D-C-0-00-000-0-00-0 | 580 | 610 | 770 | 356 | 610 | ∅14 | G1 | 509 | 98 | 322 | 87 | 385 | 65 | 44 | 104 |
| 5849023401 | LOC3-023-4-D-D-0-00-000-0-00-0 | 580 | 610 | 783 | 356 | 610 | ∅14 | G1 | 509 | 98 | 322 | 100 | 385 | 65 | 44 | 104 |
| 5849033006 | LOC3-033-4-A-B-0-00-000-0-00-0 | 692 | 722 | 785 | 356 | 610 | ∅14 | G1 1/4 | 619 | 103 | 378 | 74 | 326 | 70 | 38 | 99 |
| 5849033001 | LOC3-033-4-A-C-0-00-000-0-00-0 | 692 | 722 | 798 | 356 | 610 | ∅14 | G1 1/4 | 619 | 103 | 378 | 87 | 326 | 70 | 38 | 99 |
| 5849033201 | LOC3-033-4-A-D-0-00-000-0-00-0 | 692 | 722 | 810 | 356 | 610 | ∅14 | G1 1/4 | 619 | 103 | 378 | 100 | 326 | 70 | 38 | 99 |



All dimensions are reference.
The design specification take presence at all time.



| TYPE | Nom. oil flow l/min | Cooling capacity in kW at EDT 40 °C | Cooling capacity kW/°C | Acoustic pressure level LpA dB(A) 1m* | No. of poles/ Capacity kW | Weight kg (approx) |
|----------------------|---------------------|-------------------------------------|------------------------|---------------------------------------|---------------------------|--------------------|
| LOC3 007 - 4 - D - A | 20 | 5.6 | 0.14 | 64 | 4-0.75 | 30 |
| LOC3 007 - 4 - D - B | 40 | 7.2 | 0.18 | 64 | 4-0.75 | 30 |
| LOC3 011 - 4 - D - A | 20 | 9.2 | 0.23 | 70 | 4-0.75 | 34 |
| LOC3 011 - 4 - D - B | 40 | 10.4 | 0.26 | 70 | 4-0.75 | 34 |
| LOC3 016 - 4 - D - B | 40 | 15.6 | 0.39 | 74 | 4-1.50 | 45 |
| LOC3 016 - 4 - D - C | 60 | 18.0 | 0.45 | 74 | 4-1.50 | 45 |
| LOC3 016 - 4 - D - D | 80 | 19.6 | 0.49 | 74 | 4-1.50 | 45 |
| LOC3 023 - 4 - D - B | 40 | 21.2 | 0.53 | 77 | 4-1.50 | 53 |
| LOC3 023 - 4 - D - C | 60 | 24.4 | 0.61 | 77 | 4-2.20 | 62 |
| LOC3 023 - 4 - D - D | 80 | 26.8 | 0.67 | 77 | 4-2.20 | 62 |
| LOC3 033 - 4 - A - B | 40 | 28.8 | 0.72 | 85 | 4-3.00 | 76 |
| LOC3 033 - 4 - A - C | 60 | 32.0 | 0.80 | 85 | 4-3.00 | 76 |
| LOC3 033 - 4 - A - D | 80 | 34.8 | 0.87 | 85 | 4-3.00 | 76 |

* = Electric motors specified are calculated for max. working pressure 6 bar at 125 cSt and 50 Hz, 4 bar at 125 cSt and 60 Hz. If you require higher pressure, please contact us for a choice of motors with a higher output.

** = Noise level tolerance ± 3 dB(A).

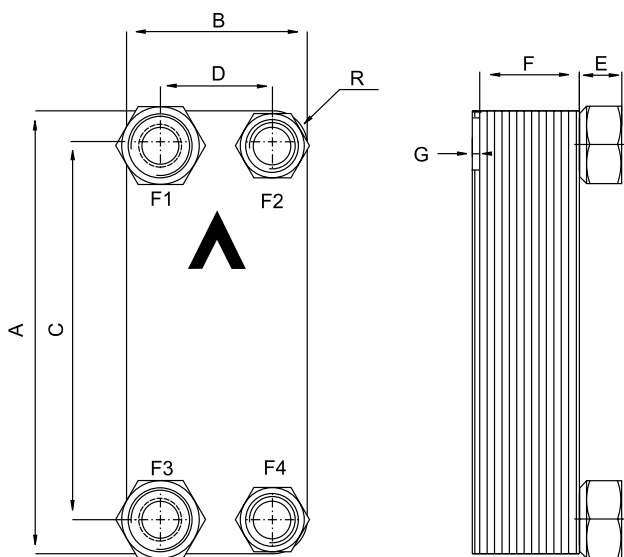


Brazed Plate Water Oil Cooler - PWO Series

The Parker PWO is a compact and lightweight brazed plate heat exchanger with a high cooling capacity for its size.

- Maxi pressure: 31 Bar
- Temperature range: - 196°C up to +225°C
- A wider range of products and more technical information is available on the Parker website and in the PWO Cooler Catalogue.

| Part Number | description | size | Nb plate | Height A (mm) | Width B (mm) | Depth E + F + G (mm) | Empty Weight (kg) | connection | Maximum Cooling Capacity (kW) ΔT 40° | Clamp | Vibration Damper |
|-------------|--|------|----------|---------------|--------------|----------------------|-------------------|---------------------------------|--------------------------------------|-----------------|------------------|
| 508454 | PWO B5THx10/1P-SC-M 2x3/4" INT HEX + 2x1/2" INT HEX | 5 | 10 | 193 | 76 | 53.5 | 1 | 2x3/4" INT HEX + 2x1/2" INT HEX | 8 (at oil flow 67 l/min) | PWOCLAMP B5 | 214025 |
| 508460 | PWO B8TH*30/1P-SC-M 2x3/4" INT HEX + 2x1/2" INT HEX | 8 | 30 | 317 | 76 | 98.3 | 3.21 | 2x3/4" INT HEX 2x1/2" INT HEX | 27(at oil flow 80 l/min) | PWOCLAMP B8 | 214025 |
| 50831006 | PWO B10TH*40/1P-SC-S 2*1" INT HEX + 2x3/4" INT HEX | 10 | 40 | 289 | 119 | 119.7 | 5.39 | 2x1" INT HEX + 2x3/4" INT HEX | 53 (at oil flow 150 l/min) | PWOCLAMP B10B12 | 214025 |
| 50832505 | PWO B25TH*50/1P-SC-S 2*1" 1/4 INT HEX + 2x1" INT HEX | 25 | 50 | 526 | 119 | 142.1 | 11.15 | 2x1 1/4" INT HEX 2x1" INT HEX | 79 (at oil flow 150 liter/min) | PWOCLAMP B25B28 | 214025 |



Shell and Tube Water Oil Cooler - SWO Series

The Parker SWO Water Oil Cooler is lightweight, compact and efficient shell and tube cooler for industrial and marine applications.

- Maximum pressure- water side: 10 Bar, water side : 15 Bar

- Maximum temperature: +95°C

- A wider range of products and more technical information is available on the Parker website and in the SWO Cooler Catalogue.

Industrial

| Part Number | description | shell Ø (mm) | Length (mm) | Connection | Dissipated Power |
|-------------|-------------|--------------|-------------|------------|------------------|
| 5150103 | SWO TP-A3 | 86 | 349 | 3/4" | 9 |
| 5150205 | SWO TP-B5 | 108 | 730 | 1" | 29 |
| 5150304 | SWO TP-C4 | 130 | 744 | 1-1/4" | 48 |

Marine

| Part Number | description | shell Ø | length | Connection | Dissipated Power |
|-------------|-------------|---------|--------|------------|------------------|
| 51503021 | SWO TP-C2M | 130 | 472 | 1-1/4" | 26 |
| 51504031 | SWO TP-D3M | 162 | 780 | 1-1/2" | 66 |
| 51505011 | SWO TP-E1M | 198 | 675 | 2" | 76 |



Gerotor Pump - QPM3 Series

The Parker QPM3 Gerotor Pump is a low pressure pump for high efficiency.

- Maximum pressure: 10 bar

- Flow rate: from 10 l/min to 80l/min

- A wider range of products and more technical information is available on the Parker website and in the QPM3 Cooler Catalogue.

| Part Number | Description | Motor Power (kW) | Flow Rate (lpm) | Weight (kg) | Noise LpA dB(A) at 1m | Approx length C (mm) - may vary with motor supplier | Height K (mm) | Width H (mm) | Fixing point for feet F (mm) |
|-------------|---------------------------|------------------|-----------------|-------------|-----------------------|---|---------------|--------------|------------------------------|
| 58632001 | QPM3 20-4-0,75 230/400-50 | 0.75 | 20 | 13 | 65 | 368 | 195 | 157 | 125 |
| 58632050 | QPM3 20-4-1,5 230/400-50 | 1.5 | 20 | 21 | 66 | 443 | 220 | 185 | 140 |
| 58634001 | QPM3 40-4-0,75 230/400-50 | 0.75 | 40 | 13 | 65 | 381 | 195 | 157 | 125 |
| 58634050 | QPM3 40-4-1,5 230/400-50 | 1.5 | 40 | 21 | 66 | 456 | 220 | 185 | 140 |
| 58634080 | QPM3 40-4-2,2 230/400-50 | 2.2 | 40 | 28 | 67 | 502 | 240 | 206 | 160 |
| 58634090 | QPM3 40-4-3,0 230/400-50 | 3 | 40 | 28 | 67 | 502 | 240 | 206 | 160 |
| 58636001 | QPM3 60-4-0,75 230/400-50 | 0.75 | 60 | 14 | 65 | 393 | 195 | 157 | 125 |
| 58636020 | QPM3 60-4-1,5 230/400-50 | 1.5 | 60 | 22 | 66 | 468 | 220 | 185 | 140 |
| 58636050 | QPM3 60-4-2,2 230/400-50 | 2.2 | 60 | 28 | 67 | 514 | 240 | 206 | 160 |
| 58636080 | QPM3 60-4-3,0 230/400-50 | 3 | 60 | 28 | 67 | 514 | 240 | 206 | 160 |
| 58638001 | QPM3 80-4-1,5 230/400-50 | 1.5 | 80 | 22 | 67 | 481 | 220 | 185 | 140 |
| 58638030 | QPM3 80-4-2,2 230/400-50 | 2.2 | 80 | 28 | 67 | 527 | 240 | 206 | 160 |
| 58638061 | QPM3 80-4-3,0 230/400-50 | 3 | 80 | 28 | 67 | 527 | 240 | 206 | 160 |



How to size a cooler

More Cooling per €
with precise calculations and our engineers' support

Optimal sizing produces efficient cooling. Correct sizing requires knowledge and experience. Our calculation program, combined with our engineers' support, gives you access to this very knowledge and experience. The result is more cooling per € invested. The user-friendly calculation program can be downloaded from www.parker.com/acde.

Valuable system review into the bargain

A more wide-ranging review of the hydraulic system is often a natural element of cooling calculations. Other potential system improvements can then be discussed – e.g. filtering, offline or online cooling, etc. Contact us for further guidance and information.

Parker Hannifin's quality and performance guarantee insurance for your operations and systems

A constant striving towards more cost-efficient and environment friendly hydraulic systems requires continuous development. Areas where we are continuously seeking to improve performance include cooling capacity, noise level, pressure drop and fatigue. Meticulous quality and performance tests are conducted in our laboratory. All tests and measurements take place in accordance with standardised methods - cooling capacity in accordance with EN1048, noise level ISO 3743, pressure drop EN 1048 and fatigue ISO 10771-1.



www.parker.com/acde

Sizing Questionnaires

Customers can complete a sizing questionnaire and send this to the local Parker Sales Office so that the most efficient cooler can be sized for your application.

You can download the sizing questionnaires from our website www.parker.com/acde or click on the links below if you are viewing a digital version of this document.

There are 2 questionnaires to select from:-

1. Air Oil Cooler Sizing - LINK

2. Water Oil Cooler Sizing - LINK

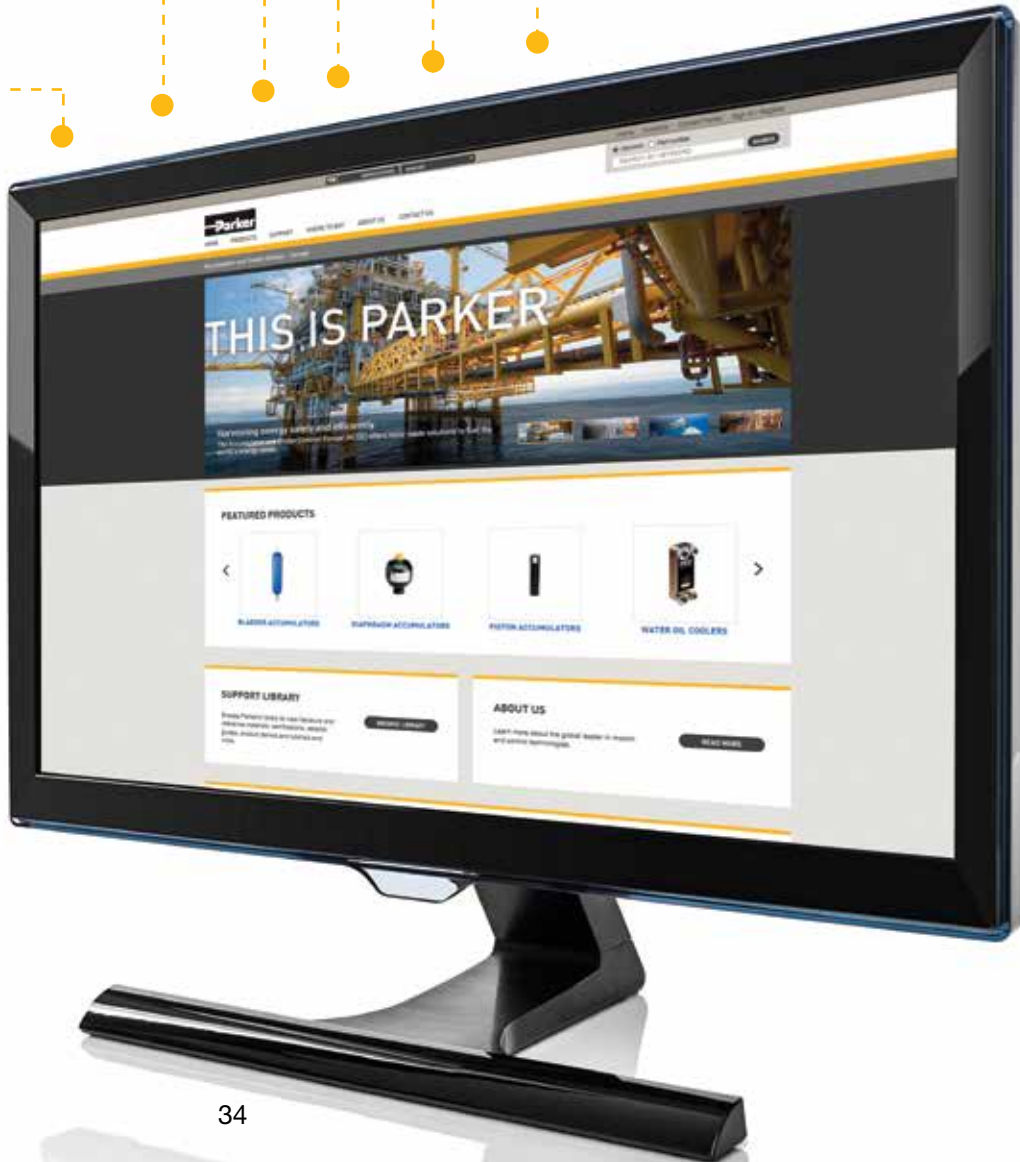
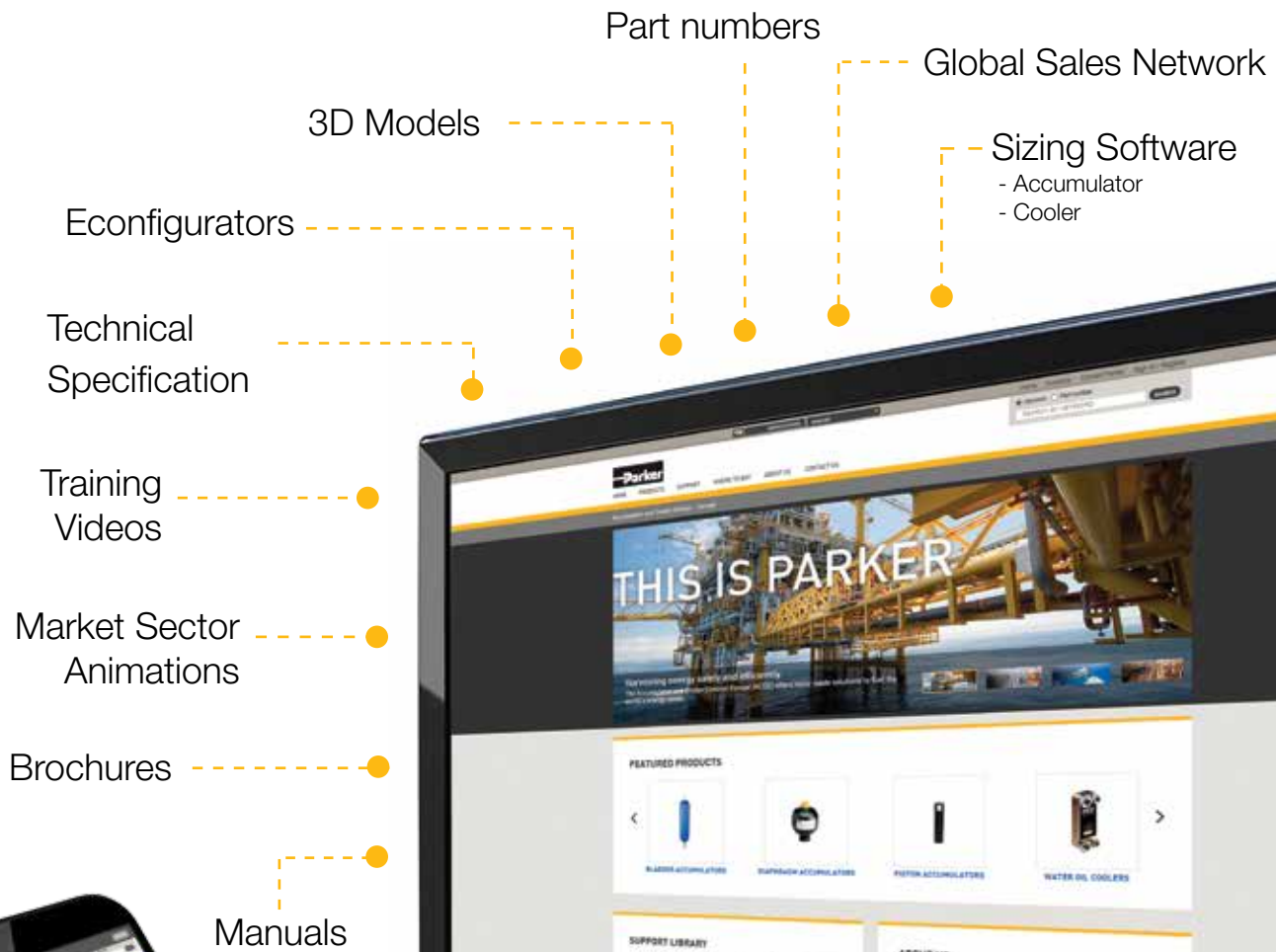
Online Support

www.parker.com/acde

You can find the latest product information on the Parker website, parker.com/acde.

Designed to be accessible via desktops, tablets and smart phones you can download sizing software, e-configurators, manuals and 3D models.

You will also find all of our latest brochures and catalogues on the website.



Parker Worldwide

Europe, Middle East, Africa

AE – United Arab Emirates, Dubai

Tel: +971 4 8127100
parker.me@parker.com

AT – Austria, Wiener Neustadt Tel: +43 (0)2622 23501-0 parker.austria@parker.com

AT – Eastern Europe, Wiener Neustadt Tel: +43 (0)2622 23501 900 parker.easteurope@parker.com

AZ – Azerbaijan, Baku Tel: +994 50 2233 458 parker.azerbaijan@parker.com

BE/LU – Belgium, Nivelles Tel: +32 (0)67 280 900 parker.belgium@parker.com

BG – Bulgaria, Sofia Tel: +359 2 980 1344 parker.bulgaria@parker.com

BY – Belarus, Minsk Tel: +48 (0)22 573 24 00 parker.poland@parker.com

CH – Switzerland, Etoy Tel: +41 (0)21 821 87 00 parker.switzerland@parker.com

CZ – Czech Republic, Klecany Tel: +420 284 083 111 parker.czechrepublic@parker.com

DE – Germany, Kaarst Tel: +49 (0)2131 4016 0 parker.germany@parker.com

DK – Denmark, Ballerup Tel: +45 43 56 04 00 parker.denmark@parker.com

ES – Spain, Madrid Tel: +34 902 330 001 parker.spain@parker.com

FI – Finland, Vantaa Tel: +358 (0)20 753 2500 parker.finland@parker.com

FR – France, Contamine s/Arve Tel: +33 (0)4 50 25 80 25 parker.france@parker.com

GR – Greece, Athens Tel: +30 210 933 6450 parker.greece@parker.com

HU – Hungary, Budaörs Tel: +36 23 885 470 parker.hungary@parker.com

IE – Ireland, Dublin Tel: +353 (0)1 466 6370 parker.ireland@parker.com

IL – Israel Tel: +39 02 45 19 21 parker.israel@parker.com

IT – Italy, Corsico (MI) Tel: +39 02 45 19 21 parker.italy@parker.com

KZ – Kazakhstan, Almaty Tel: +7 7273 561 000 parker.easteurope@parker.com

NL – The Netherlands, Oldenzaal Tel: +31 (0)541 585 000 parker.nl@parker.com

NO – Norway, Asker Tel: +47 66 75 34 00 parker.norway@parker.com

PL – Poland, Warsaw Tel: +48 (0)22 573 24 00 parker.poland@parker.com

PT – Portugal Tel: +351 22 999 7360 parker.portugal@parker.com

RO – Romania, Bucharest Tel: +40 21 252 1382 parker.romania@parker.com

RU – Russia, Moscow Tel: +7 495 645-2156 parker.russia@parker.com

SE – Sweden, Spånga Tel: +46 (0)8 59 79 50 00 parker.sweden@parker.com

SK – Slovakia, Banská Bystrica Tel: +421 484 162 252 parker.slovakia@parker.com

SL – Slovenia, Novo Mesto Tel: +386 7 337 6650 parker.slovenia@parker.com

TR – Turkey, Istanbul Tel: +90 216 4997081 parker.turkey@parker.com

UA – Ukraine, Kiev Tel: +48 (0)22 573 24 00 parker.poland@parker.com

UK – United Kingdom, Warwick Tel: +44 (0)1926 317 878 parker.uk@parker.com

ZA – South Africa, Kempton Park Tel: +27 (0)11 961 0700 parker.southafrica@parker.com

North America

CA – Canada, Milton, Ontario Tel: +1 905 693 3000

US – USA, Cleveland Tel: +1 216 896 3000

Asia Pacific

AU – Australia, Castle Hill Tel: +61 (0)2-9634 7777

CN – China, Shanghai Tel: +86 21 2899 5000

HK – Hong Kong Tel: +852 2428 8008

IN – India, Mumbai Tel: +91 22 6513 7081-85

JP – Japan, Tokyo Tel: +81 (0)3 6408 3901

KR – South Korea, Seoul Tel: +82 2 559 0400

MY – Malaysia, Shah Alam Tel: +60 3 7849 0800

NZ – New Zealand, Mt Wellington Tel: +64 9 574 1744

SG – Singapore Tel: +65 6887 6300

TH – Thailand, Bangkok Tel: +662 186 7000

TW – Taiwan, Taipei Tel: +886 2 2298 8987

South America

AR – Argentina, Buenos Aires Tel: +54 3327 44 4129

BR – Brazil, Sao Jose dos Campos Tel: +55 800 727 5374

CL – Chile, Santiago Tel: +56 2 623 1216

MX – Mexico, Toluca Tel: +52 72 2275 4200



EMEA Product Information Centre

Free phone: 00 800 27 27 5374

(from AT, BE, CH, CZ, DE, DK, EE, ES, FI, FR, IE, IL, IS, IT, LU, MT, NL, NO, PL, PT, RU, SE, SK, UK, ZA)

US Product Information Centre

Toll-free number: 1-800-27 27 537

www.parker.com